

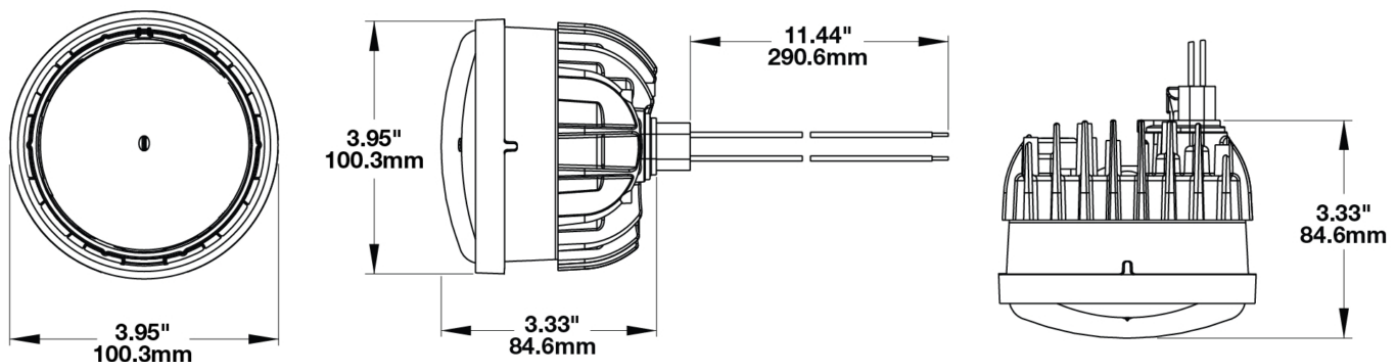
# Bi-LED Headlight - Model 97

## PRODUCT INFORMATION

<b>Description</b>	12-24V DOT/ECE RHT High & Low Beam Headlight (Reg 112)
<b>Height</b>	100.00 mm / 3.94 in
<b>Width</b>	100.00 mm / 3.94 in
<b>Depth</b>	85.00 mm / 3.35 in
<b>Shape</b>	Round
<b>Outer Lens Material</b>	Polycarbonate
<b>Outer Lens Color</b>	Clear
<b>Housing Material</b>	Aluminum
<b>Housing Color</b>	Black
<b>Bezel Color</b>	Black
<b>Minimum Operating Temperature</b>	-40 °C / -40 °F
<b>Maximum Operating Temperature</b>	65 °C / 149 °F
<b>Connector or Wiring</b>	Deutsch DT04-4P
<b>Mating Connector</b>	Deutsch DT06-4S
<b>Product Weight</b>	1.85 lbs / 0.84 kgs
<b>Shipping Weight</b>	1.85 lbs / 0.84 kgs



## PRODUCT DIMENSIONS



Print date: 2020-07-14

© 2020 J.W. Speaker Corporation • Germantown, WI U.S.A.  
[www.jwspeaker.com](http://www.jwspeaker.com) • [speaker@jwspeaker.com](mailto:speaker@jwspeaker.com) • 262.251.6660

**J.W. SPEAKER**   
 Engineered. Lighting. Solutions.

# Bi-LED Headlight - Model 97

## ELECTRICAL SPECIFICATIONS

<b>Input Voltage</b>	12-24V DC
<b>Operating Voltage</b>	10-32V DC
<b>Transient Spike Protection</b>	150V Peak @ 1 HZ-100 Pulses
<b>Black Wire</b>	Ground
<b>Yellow Wire</b>	Low Beam
<b>White Wire</b>	High Beam
<b>Red Wire</b>	Front Position
<b>Current Draw</b>	1.5A @ 12V DC (Low Beam) 1.8A @ 12V DC (High Beam) 0.1A @ 12V DC (Front Position) 0.8A @ 24V DC (Low Beam) 1.0A @ 24V DC (High Beam) 0.06A @ 24V DC (Front Position)

## REGULATORY STANDARDS COMPLIANCE



Buy America Standards	ECE Reg 10
ECE Reg 112	ECE Reg 7
Eco Friendly	FMVSS 108 s10.1 (Table XIX)
FMVSS 108 s10.1 (Table XVIII)	IEC IP67
IEC IP69K	Tested to ECE Reg. 10 (Radiated Emissions only)

Print date: 2020-07-14

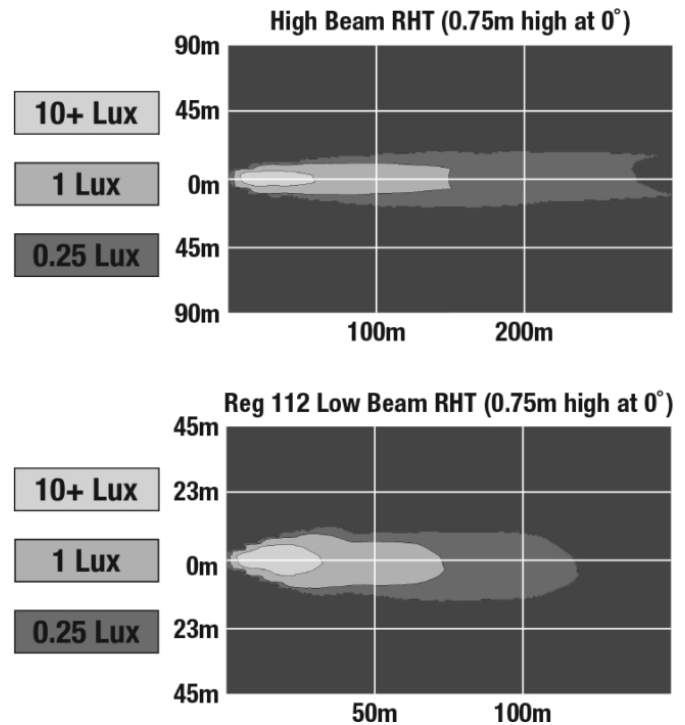
© 2020 J.W. Speaker Corporation • Germantown, WI U.S.A.  
www.jwspeaker.com • speaker@jwspeaker.com • 262.251.6660

**J.W. SPEAKER**  
Engineered. Lighting. Solutions.

# Bi-LED Headlight - Model 97

## PHOTOMETRIC SPECIFICATIONS

<b>Raw Lumen Output</b>	1,800 (High Beam); 1,600 (Low Beam)
<b>Effective Lumen Output</b>	497 (High Beam); 321 (Low Beam)
<b>Candela Output</b>	41,800 (High Beam); 14,600 (Low Beam)
<b>Nominal LED Color Temperature</b>	4750 K
<b>Beam Pattern(s)</b>	Forward Lighting - High Beam (DOT/ECE) Forward Lighting - Low Beam (ECE Right Hand) Signalization - Front Position



## APPLICATIONS



## PRODUCT WARNINGS

For California residents:

**⚠ WARNING:** Cancer and reproductive harm - [www.P65Warnings.ca.gov](http://www.P65Warnings.ca.gov).

**⚠ AVERTISSEMENT:** Cancer et effet nocif sur la reproduction - [www.P65Warnings.ca.gov](http://www.P65Warnings.ca.gov).

Print date: 2020-07-14

© 2020 J.W. Speaker Corporation • Germantown, WI U.S.A.  
www.jwspeaker.com • speaker@jwspeaker.com • 262.251.6660

**J.W. SPEAKER®**  
Engineered. Lighting. Solutions.

# Bi-LED Headlight - Model 97

## ACCESSORIES

---



**Part Number**  
**8001511**  
3-Point Mount for  
3mm Mounting Frame



**Part Number**  
**8001521**  
Single Pedestal Mount  
Kit

## RELATED PRODUCTS

---



**Part Number**  
**0554911**  
12-24V DOT/ECE LHT  
High & Low Beam  
Headlight (Reg 112)



**Part Number**  
**0554921**  
12-24V DOT/ECE High  
& Low Beam Headlight  
(Reg 113)