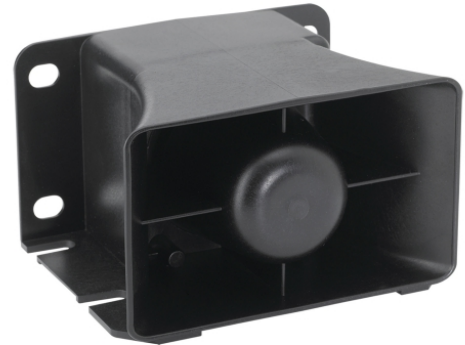


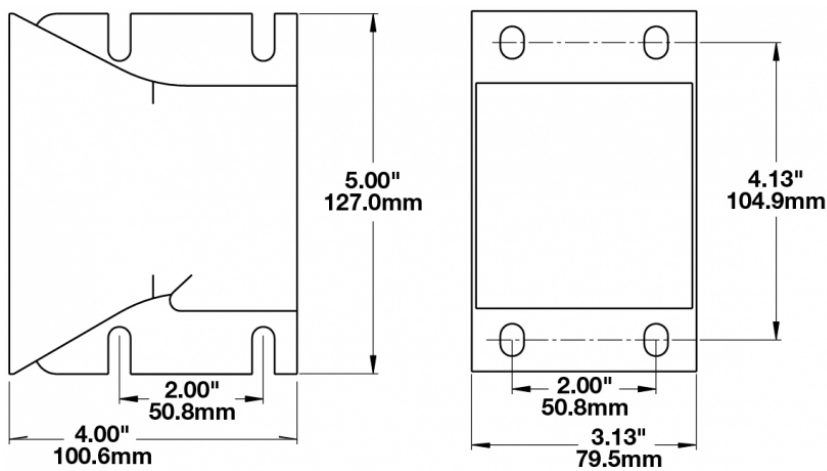
Backup Alarm - Model 390

PRODUCT INFORMATION

Description	12-48V Backup Alarm Light
Height	79.50 mm / 3.13 in
Width	127.00 mm / 5 in
Depth	101.60 mm / 4 in
Housing Material	ABS
Housing Color	Black
Minimum Operating Temperature	-40 °C / -40 °F
Maximum Operating Temperature	85 °C / 185 °F
Connector or Wiring	#8 Terminal Studs
Shipping Weight	2.20 lbs / 1 kgs



PRODUCT DIMENSIONS



Print date: 2019-05-24

© 2019 J.W. Speaker Corporation • Germantown, WI U.S.A.
 www.jwspeaker.com • speaker@jwspeaker.com • 262.251.6660

Backup Alarm - Model 390

ELECTRICAL SPECIFICATIONS

Input Voltage 12-48V DC

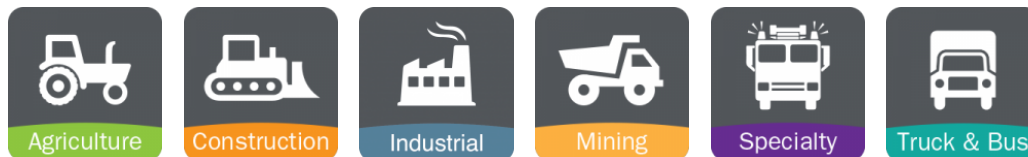
REGULATORY STANDARDS COMPLIANCE



Buy America Standards
SAE J994

IEC IP67

APPLICATIONS



ADDITIONAL INFORMATION

Input Polarity: Polarity Protected

Input Connections: #8 Terminal Studs

Sound Pulse Rate: Between 1 & 2 Per Second

Tone Frequency: 1250Hz \pm 20%

Decibels: Self Adjusting 82-107

Current Draw: 1 Amp Max

Operating Range: -40°C to +85°C

Electronics: Solid State Sealed 100V Positive, 400V Negative Spike Protection

Print date: 2019-05-24

© 2019 J.W. Speaker Corporation • Germantown, WI U.S.A.
www.jwspeaker.com • speaker@jwspeaker.com • 262.251.6660