

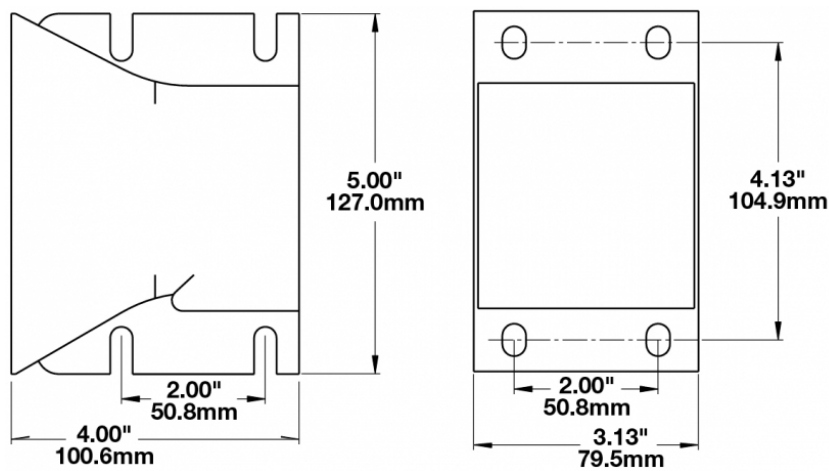
Backup Alarm - Model 380

PRODUCT INFORMATION

Description	12-24V 112dB Backup Alarm
Height	79.50 mm / 3.13 in
Width	127.00 mm / 5 in
Depth	101.60 mm / 4 in
Housing Material	ABS
Housing Color	Black
Mounting Type	Universal Mount
Minimum Operating Temperature	-40 °C / -40 °F
Maximum Operating Temperature	65 °C / 149 °F
Connector or Wiring	#8 Terminal Studs
Product Weight	0.30 lbs / 0.14 kgs
Shipping Weight	2.20 lbs / 1 kgs



PRODUCT DIMENSIONS



Print date: 2018-02-25

© 2018 J.W. Speaker Corporation • Germantown, WI U.S.A.
 www.jwspeaker.com • speaker@jwspeaker.com • 262.251.6660

J.W. SPEAKER
 Engineered. Lighting. Solutions.

Backup Alarm - Model 380

ELECTRICAL SPECIFICATIONS

Input Voltage 12-24V DC

REGULATORY STANDARDS COMPLIANCE



Buy America Standards
SAE J994

IEC IP67

APPLICATIONS



Print date: 2018-02-25

© 2018 J.W. Speaker Corporation • Germantown, WI U.S.A.
www.jwspeaker.com • speaker@jwspeaker.com • 262.251.6660

