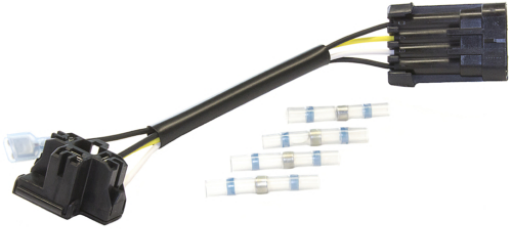


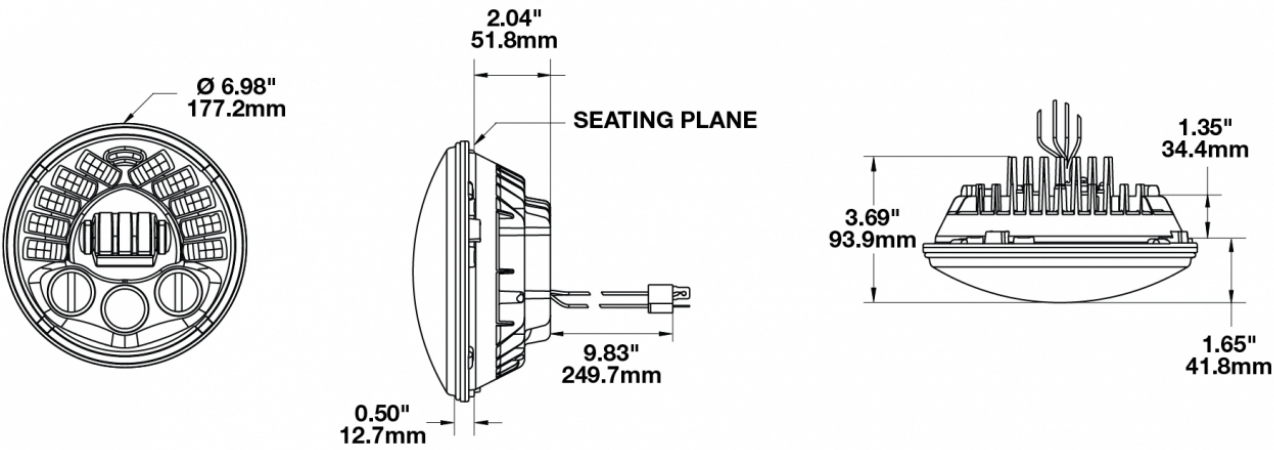
# Wire Harness H4 for 7" Round (PAR56) Headlights

## PRODUCT INFORMATION

|                                      |   |
|--------------------------------------|---|
| <b>Description</b>                   | Wire Harness H4 for 7" Round (PAR56) Headlights |
| <b>Mounting Hardware Description</b> | (x4) solder butt connectors                     |
| <b>Connector or Wiring</b>           | Packard wire adapter                            |
| <b>Mating Connector</b>              | H4  |
| <b>Shipping Weight</b>               | 5.00 lbs / 2.27 kgs                             |



## PRODUCT DIMENSIONS



Print date: 2017-12-13

© 2017 J.W. Speaker Corporation • Germantown, WI U.S.A.  
www.jwspeaker.com • speaker@jwspeaker.com • 262.251.6660



# Wire Harness H4 for 7" Round (PAR56) Headlights

## REGULATORY STANDARDS COMPLIANCE

---



Buy America Standards



Eco Friendly

## APPLICATIONS

---



## ADDITIONAL INFORMATION

---

**This wire adapter is intended to be used on 2014 and newer Harley Davidson® touring bikes.**

This is wire harness that includes an H4 to Packard wire adapter, as well as 4 sealed solder butt connectors, depending on your bike's configuration.

To find out if this adapter is necessary for installation, check out the "7" Round Motorcycle Headlight Fitment Guide" available online at [www.jwspeaker.com/resources](http://www.jwspeaker.com/resources)

---

**Print date: 2017-12-13**

© 2017 J.W. Speaker Corporation • Germantown, WI U.S.A.  
[www.jwspeaker.com](http://www.jwspeaker.com) • [speaker@jwspeaker.com](mailto:speaker@jwspeaker.com) • 262.251.6660

# Wire Harness H4 for 7" Round (PAR56) Headlights

## SUITS THESE PRODUCTS

---

### ADAPTIVE



#### 7" Round Headlights

Adaptive LED  
Headlights - Model  
8790 Adaptive

### NON-ADAPTIVE



#### 7" Round Headlights

Motorcycle LED  
Headlights - Model  
8790



#### 7" Round Headlights

Reflector LED  
Headlights - Model  
8720



#### 7" Round Headlights with Dual Burn™

LED Headlights -  
Model 8700 EVO 2  
Dual Burn