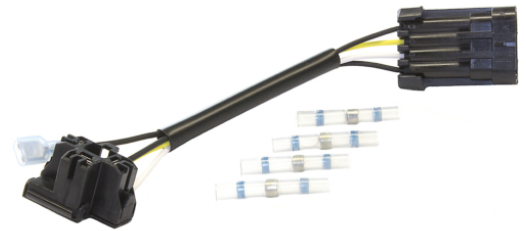


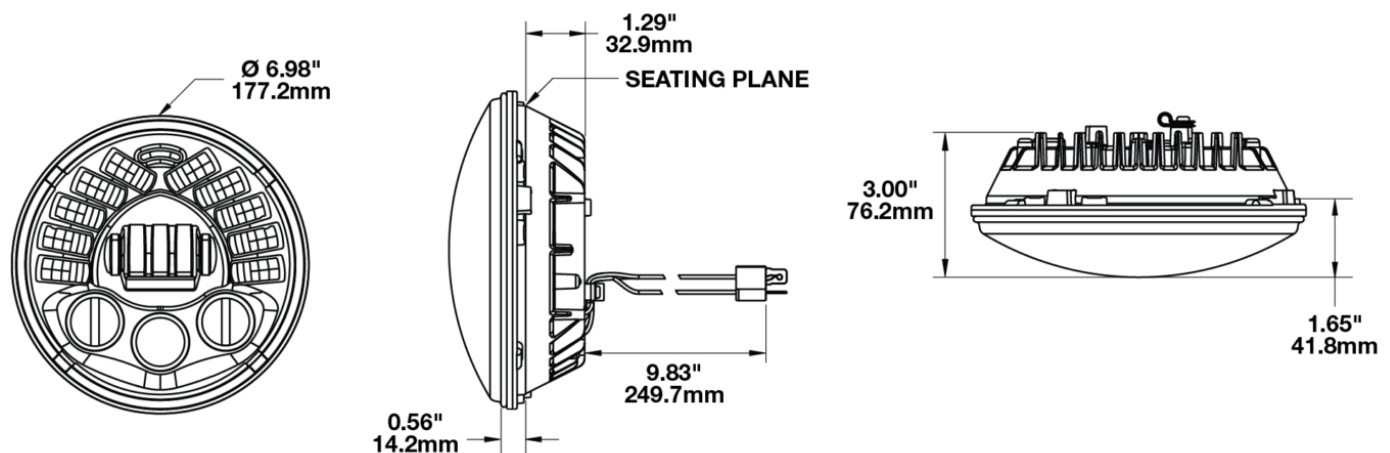
# Wire Harness for 7" Motorcycle Headlights

## PRODUCT INFORMATION

<b>Description</b>	Wire Harness for 7" Motorcycle Headlights
<b>Mounting Hardware Description</b>	(x4) Solder Butt Connectors
<b>Connector or Wiring</b>	Packard Wire Adapter
<b>Mating Connector</b>	H4
<b>Shipping Weight</b>	5.00 lbs / 2.27 kgs



## PRODUCT DIMENSIONS



Print date: 2024-07-27

© 2024 J.W. Speaker Corporation • Germantown, WI U.S.A.  
 www.jwspeaker.com • speaker@jwspeaker.com • 262.251.6660

# Wire Harness for 7" Motorcycle Headlights

## REGULATORY STANDARDS COMPLIANCE

---

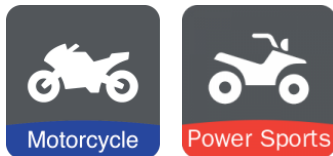


Buy America Standards

Eco Friendly

## APPLICATIONS

---



## ADDITIONAL INFORMATION

---

**This wire adapter is intended to be used on 2014 and newer Harley Davidson® touring bikes.**

This is wire harness that includes an H4 to Packard wire adapter, as well as 4 sealed solder butt connectors, depending on your bike's configuration.

To find out if this adapter is necessary for installation, check out the "7" Round Motorcycle Headlight Fitment Guide" available online at [www.jwspeaker.com/resources](http://www.jwspeaker.com/resources)

## PRODUCT WARNINGS

---

For California residents:

**⚠ WARNING:** Cancer and reproductive harm - [www.P65Warnings.ca.gov](http://www.P65Warnings.ca.gov).

**⚠ AVERTISSEMENT:** Cancer et effet nocif sur la reproduction - [www.P65Warnings.ca.gov](http://www.P65Warnings.ca.gov).

---

**Print date: 2024-07-27**

© 2024 J.W. Speaker Corporation • Germantown, WI U.S.A.  
[www.jwspeaker.com](http://www.jwspeaker.com) • [speaker@jwspeaker.com](mailto:speaker@jwspeaker.com) • 262.251.6660

**J.W. SPEAKER**   
*Engineered. Lighting. Solutions.*

# Wire Harness for 7" Motorcycle Headlights

## SUITS THESE PRODUCTS

---



**7" Round LED  
Motorcycle  
Headlights**

7" Round LED  
Motorcycle Headlights  
- Model 8790 Adaptive  
2



**7" Round  
Headlights**

Reflector LED  
Headlights - Model  
8720



**7" Round  
Headlights with  
Dual Burn®  
Technology**

LED Headlights -  
Model 8700 Evo 2 Dual  
Burn