

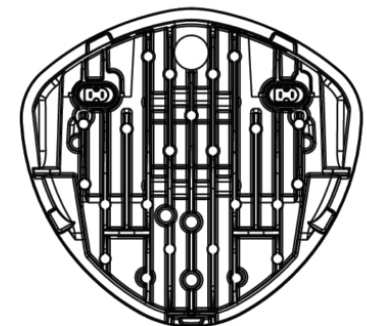
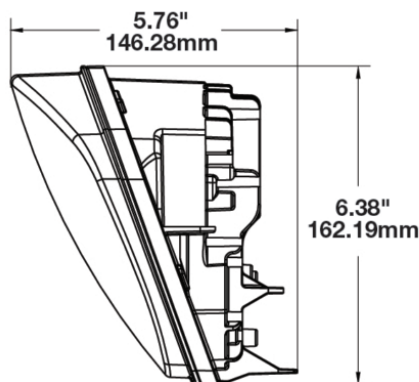
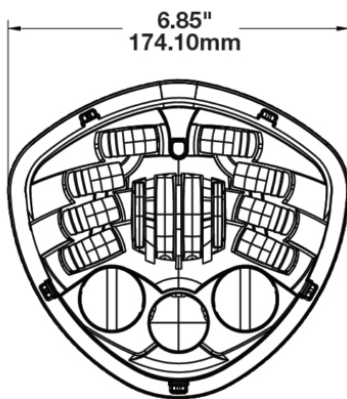
Adaptive LED Headlights – Model 8695 Adaptive 2

PRODUCT INFORMATION

| | |
|--------------------------------------|---|
| Description | 12V DOT LED Diamond Adaptive Headlight with Black Inner Bezel |
| Height | 162.00 mm / 6.38 in |
| Width | 174.00 mm / 6.85 in |
| Depth | 146.00 mm / 5.75 in |
| Shape | Stylized |
| Outer Lens Material | Polycarbonate |
| Outer Lens Color | Clear |
| Housing Material | Aluminum |
| Housing Color | Grey |
| Bezel Color | Black |
| Retrofits | Victory Diamond Headlights |
| Minimum Operating Temperature | -40 °C / -40 °F |
| Maximum Operating Temperature | 65 °C / 149 °F |
| Connector or Wiring | Integral Connectors |
| Mating Connector | DELPHI 12124819 |
| Product Weight | 3.05 lbs / 1.38 kgs |
| Shipping Weight | 3.10 lbs / 1.41 kgs |



PRODUCT DIMENSIONS



Print date: 2026-06-18

© 2026 J.W. Speaker Corporation • Germantown, WI U.S.A.
www.jwspeaker.com • speaker@jwspeaker.com • 262.251.6660

J.W. SPEAKER
Engineered. Lighting. Solutions.

Adaptive LED Headlights – Model 8695 Adaptive 2

ELECTRICAL SPECIFICATIONS

| | |
|-----------------------------------|--|
| Input Voltage | 12V DC |
| Operating Voltage | 9-16V DC |
| Transient Spike Protection | 150V Peak @ 1 HZ-100 Pulses |
| Current Draw | 1.9A @ 12V DC (Low Beam) 3.2A @ 12V DC (High Beam) 4.5A @ 12V DC (Low Beam at Full Lean) 5.5A @ 12V DC (High Beam at Full Lean) |

REGULATORY STANDARDS COMPLIANCE



FMVSS 108 s10.1 (Table XX) IEC IP67

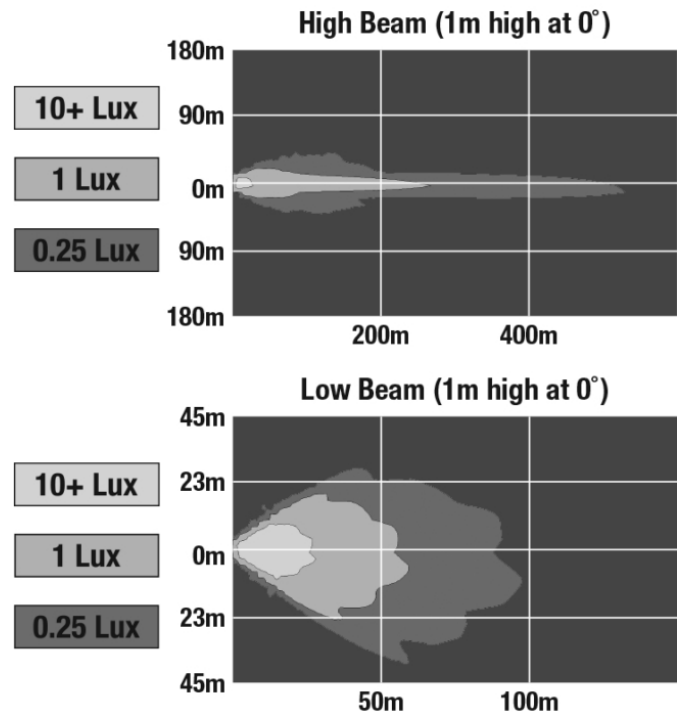
Print date: 2026-06-18

© 2026 J.W. Speaker Corporation • Germantown, WI U.S.A.
www.jwspeaker.com • speaker@jwspeaker.com • 262.251.6660

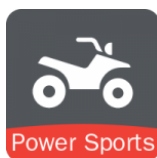
Adaptive LED Headlights – Model 8695 Adaptive 2

PHOTOMETRIC SPECIFICATIONS

| | |
|--------------------------------------|---|
| Raw Lumen Output | 3,520 (High Beam); 2,120 (Low Beam) |
| Effective Lumen Output | 1,600 (High Beam); 1,050 (Low Beam) |
| Candela Output | 60,000 (High Beam); 8,300 (Low Beam) |
| Nominal LED Color Temperature | 5000 K |
| Beam Pattern(s) | Forward Lighting - High Beam (DOT) Forward Lighting - Low Beam (DOT) |



APPLICATIONS



ADDITIONAL INFORMATION

Improvements over the original Adaptive Series

The NEW Adaptive 2 Series headlights have been improved to feature Adaptive technology when using the high beam, in addition to the low beam. Providing ditch-to-ditch lighting to eliminate dark corners on sharp turns and a punch of light 1,500 feet down the road to give you a safer and more confident ride.

Red Wire

Note about Front Position: The front position light is a requirement outside the United States. **If your bike is operated in the United States you do NOT need to connect this wire (red)** unless your bike is equipped with a front position light.

Print date: 2026-06-18

© 2026 J.W. Speaker Corporation • Germantown, WI U.S.A.
www.jwspeaker.com • speaker@jwspeaker.com • 262.251.6660

Adaptive LED Headlights – Model 8695 Adaptive 2

PRODUCT WARNINGS

For California residents:

⚠ **WARNING:** Cancer and reproductive harm - www.P65Warnings.ca.gov.

⚠ **AVERTISSEMENT:** Cancer et effet nocif sur la reproduction - www.P65Warnings.ca.gov.

RELATED PRODUCTS



Part Number

0555161

12V DOT LED Diamond
Adaptive Headlight
with Chrome Inner
Bezel

Print date: 2026-06-18

© 2026 J.W. Speaker Corporation • Germantown, WI U.S.A.
www.jwspeaker.com • speaker@jwspeaker.com • 262.251.6660

J.W. SPEAKER 
Engineered. Lighting. Solutions.