

# Adaptive & Non-Adaptive LED Headlights - Model 8693

## PRODUCT INFORMATION

---

<b>Description</b>	12V DOT LED High & Low Beam Non-Adaptive Headlight with Front Position and Yamaha FZ-07 Kit
<b>Height</b>	223.00 mm / 8.78 in
<b>Width</b>	217.00 mm / 8.54 in
<b>Depth</b>	103.00 mm / 4.06 in
<b>Shape</b>	Stylized
<b>Outer Lens Material</b>	Hardcoated Polycarbonate
<b>Outer Lens Color</b>	Clear
<b>Housing Material</b>	Die-Cast Aluminum
<b>Housing Color</b>	Black
<b>Bezel Color</b>	Black
<b>Mounting Hardware Description</b>	Custom Mounting Kit for FZ-07
<b>Minimum Operating Temperature</b>	-40 °C / -40 °F
<b>Maximum Operating Temperature</b>	65 °C / 149 °F
<b>Connector or Wiring</b>	Integral Connector
<b>Mating Connector</b>	Deutsch DT06-6S



---

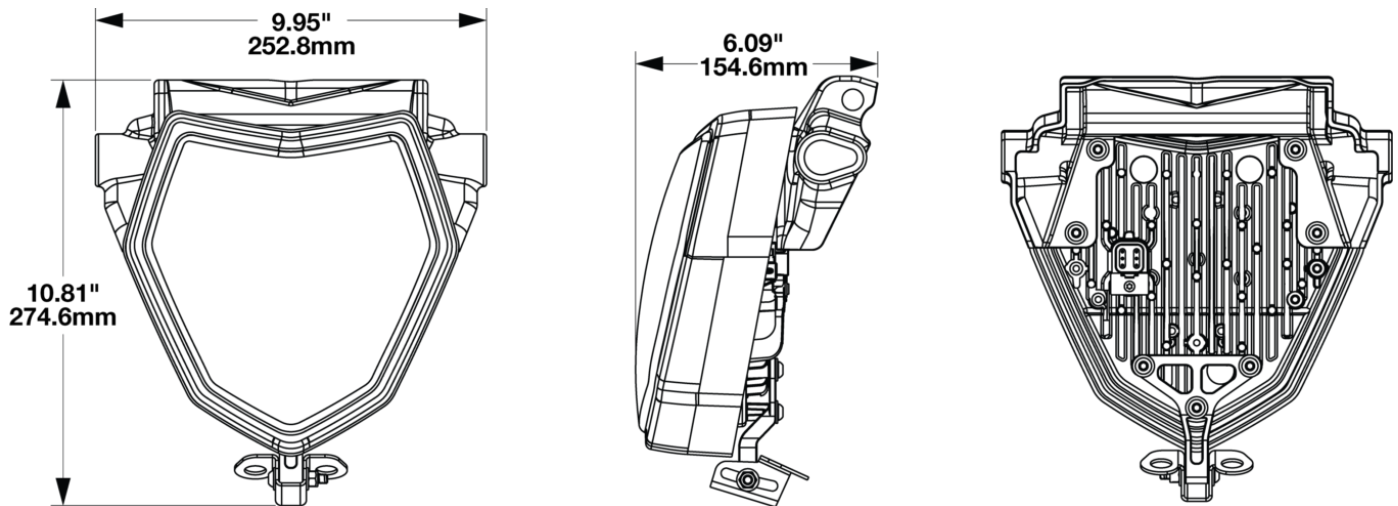
**Print date: 2025-03-20**

© 2025 J.W. Speaker Corporation • Germantown, WI U.S.A.  
www.jwspeaker.com • speaker@jwspeaker.com • 262.251.6660

**J.W. SPEAKER**   
Engineered. Lighting. Solutions.

# Adaptive & Non-Adaptive LED Headlights - Model 8693

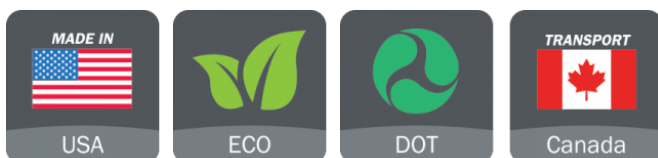
## PRODUCT DIMENSIONS



## ELECTRICAL SPECIFICATIONS

<b>Input Voltage</b>	13.5V DC
<b>Operating Voltage</b>	9-16V DC
<b>Yellow Wire</b>	Low Beam
<b>White Wire</b>	High Beam
<b>Red Wire</b>	Front Position
<b>Black Wire</b>	Ground
<b>Current Draw</b>	2.5A @ 13.5V DC (Low Beam) 2.6A @ 13.5V DC (High Beam) 0.4A @ 13.5V DC (Front Position)

## REGULATORY STANDARDS COMPLIANCE



Buy America Standards  
FMVSS 108 s10.1 (Table XX)

Eco Friendly

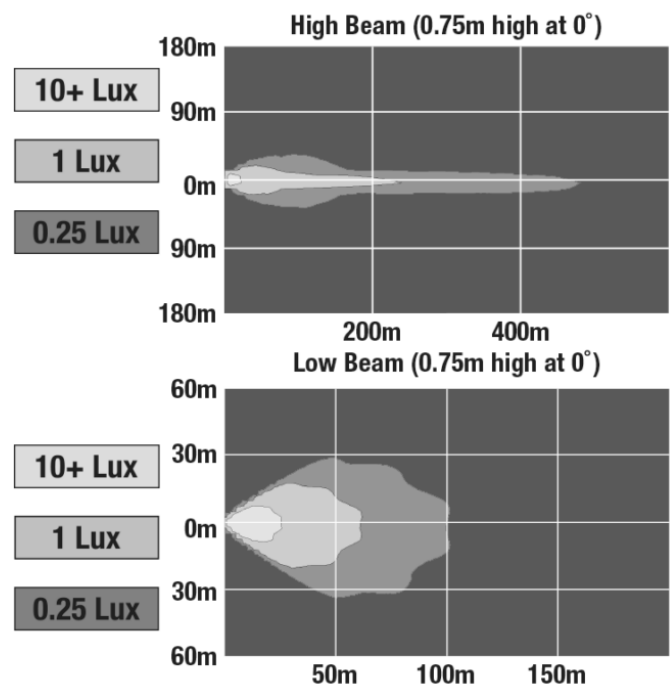
Print date: 2025-03-20

© 2025 J.W. Speaker Corporation • Germantown, WI U.S.A.  
www.jwspeaker.com • speaker@jwspeaker.com • 262.251.6660

# Adaptive & Non-Adaptive LED Headlights - Model 8693

## PHOTOMETRIC SPECIFICATIONS

<b>Raw Lumen Output</b>	3,360 (High Beam); 2,240 (Low Beam)
<b>Effective Lumen Output</b>	1,260 (High Beam); 870 (Low Beam)
<b>Candela Output</b>	51,000 (High Beam); 10,000 (Low Beam)
<b>Nominal LED Color Temperature</b>	5000 K
<b>Beam Pattern(s)</b>	Forward Lighting - High Beam (DOT) Forward Lighting - Low Beam (DOT) Signalization - Front Position



## APPLICATIONS



## INSTALLATION & APPLICATION INFORMATION

The Adaptive (0561923) and Non-Adaptive (0561933) Yamaha FZ-07 Fitment Kits are designed for 2014-2017 Yamaha FZ-07s.

Print date: 2025-03-20

© 2025 J.W. Speaker Corporation • Germantown, WI U.S.A.  
www.jwspeaker.com • speaker@jwspeaker.com • 262.251.6660

# Adaptive & Non-Adaptive LED Headlights - Model 8693

## ADDITIONAL INFORMATION

---

### Included in Box:

- 1x Non-Adaptive Model 8693 Headlight
- 1x Model 8693 Yamaha FZ07 Wire Assembly
- 1x Upper Bracket
- 1x Mid Bracket
- 1x Lower Bracket
- 1x Lock Nut
- 7x 12mm Screws
- 9x Flat Washers

## PRODUCT WARNINGS

---

For California residents:

⚠ **WARNING:** Cancer and reproductive harm - [www.P65Warnings.ca.gov](http://www.P65Warnings.ca.gov).

⚠ **AVERTISSEMENT:** Cancer et effet nocif sur la reproduction - [www.P65Warnings.ca.gov](http://www.P65Warnings.ca.gov).

---

**Print date: 2025-03-20**

© 2025 J.W. Speaker Corporation • Germantown, WI U.S.A.  
www.jwspeaker.com • speaker@jwspeaker.com • 262.251.6660

**J.W. SPEAKER**   
*Engineered. Lighting. Solutions.*

# Adaptive & Non-Adaptive LED Headlights - Model 8693

## RELATED PRODUCTS

---



**Part Number**  
**0561251**

12V DOT/ECE LED  
High & Low Beam  
Adaptive Headlight  
with Black Inner Bezel



**Part Number**  
**0561843**

12V DOT LED High &  
Low Beam Adaptive  
Headlight with Front  
Position and Honda  
Grom Fitment Kit



**Part Number**  
**0561853**

12V DOT LED High &  
Low Beam Non-  
Adaptive Headlight  
with Front Position and  
Honda Grom Kit



**Part Number**  
**0561903**

12V DOT LED High &  
Low Beam Adaptive  
Headlight with Front  
Position and Ducati  
Monster Kit



**Part Number**  
**0561913**

12V DOT LED High &  
Low Beam Non-  
Adaptive Headlight  
with Front Position &  
Ducati Monster Kit



**Part Number**  
**0561923**

12V DOT LED High &  
Low Beam Adaptive  
Headlight with Front  
Position and Yamaha  
FZ-07 Kit