

# Adaptive LED Headlights - Model 8692 Adaptive

## PRODUCT INFORMATION

<b>Description</b>	12V DOT/ECE LED High & Low Beam Adaptive Headlight w Chrome Inner Bezel - Pre-assembled 2 Light Kit
<b>Height</b>	143.00 mm / 5.63 in
<b>Width</b>	143.00 mm / 5.63 in
<b>Depth</b>	82.50 mm / 3.25 in
<b>Shape</b>	Round
<b>Outer Lens Material</b>	Polycarbonate
<b>Outer Lens Color</b>	Clear
<b>Housing Material</b>	Aluminum
<b>Housing Color</b>	Gray
<b>Bezel Color</b>	Chrome
<b>Mounting Hardware Description</b>	(x1) Stainless steel brackets and bolts
<b>Mounting Type</b>	Custom
<b>Retrofits</b>	HD Road Glide (2014 and older)
<b>Minimum Operating Temperature</b>	-40 °C / -40 °F
<b>Maximum Operating Temperature</b>	65 °C / 149 °F
<b>Connector or Wiring</b>	H4
<b>Mating Connector</b>	H4, AMP#172615-2
<b>Product Weight</b>	5.00 lbs / 2.27 kgs
<b>Shipping Weight</b>	7.08 lbs / 3.21 kgs



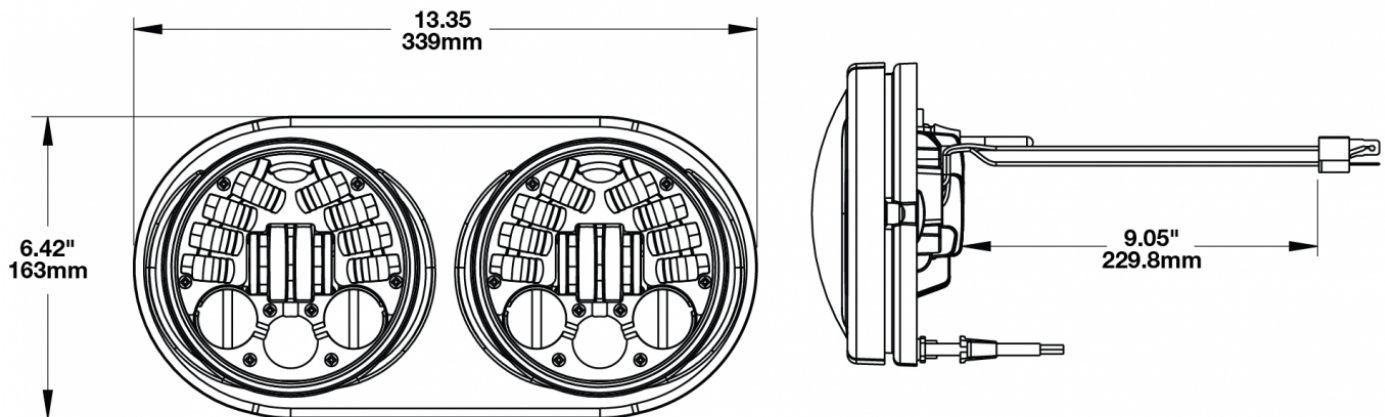
Print date: 2018-02-20

© 2018 J.W. Speaker Corporation • Germantown, WI U.S.A.  
www.jwspeaker.com • speaker@jwspeaker.com • 262.251.6660

**J.W. SPEAKER**   
Engineered. Lighting. Solutions.

# Adaptive LED Headlights - Model 8692 Adaptive

## PRODUCT DIMENSIONS



## ELECTRICAL SPECIFICATIONS

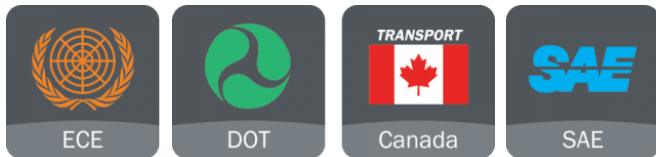
<b>Input Voltage</b>	12 V
<b>Operating Voltage</b>	9-16 V
<b>Transient Spike Protection</b>	150V Peak @ 1 HZ-100 Pul
<b>Black Wire</b>	Ground
<b>White Wire</b>	High Beam
<b>Yellow Wire</b>	Low Beam
<b>Red Wire</b>	Front Position
<b>Current Draw</b>	3.80A @ 12V (Low) 6.40A @ 12V (High) 0.42A @ 12V (Front Position) 8.40A @ 21V (Low Beam at Full Lean)

Print date: 2018-02-20

© 2018 J.W. Speaker Corporation • Germantown, WI U.S.A.  
www.jwspeaker.com • speaker@jwspeaker.com • 262.251.6660

# Adaptive LED Headlights - Model 8692 Adaptive

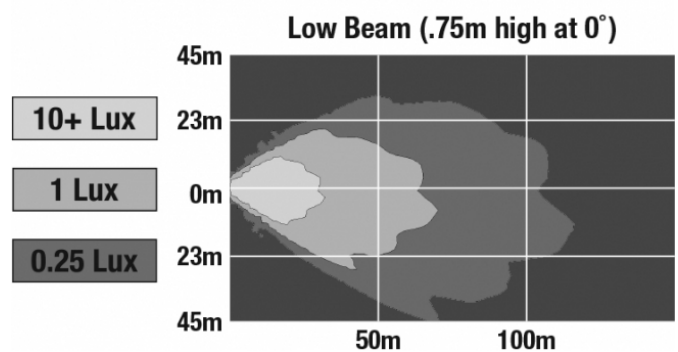
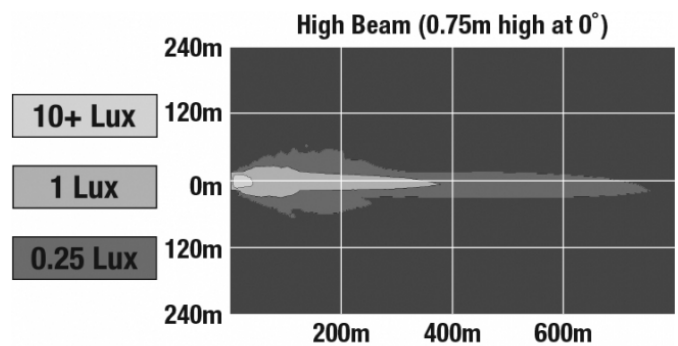
## REGULATORY STANDARDS COMPLIANCE



ECE Reg 113	ECE Reg 50
FMVSS 108 Table XX	IEC IP67
SAE J575	SAE J584

## PHOTOMETRIC SPECIFICATIONS

<b>Raw Lumen Output</b>	7,020 (High Beam); 4,240 (Low Beam)
<b>Effective Lumen Output</b>	3,200 (High Beam); 2,040 (Low Beam)
<b>Nominal LED Color Temperature</b>	5000 K
<b>Beam Pattern(s)</b>	Forward Lighting - High Beam (DOT/ECE) Forward Lighting - Low Beam (DOT/ECE) Signalization - Front Position



Print date: 2018-02-20

© 2018 J.W. Speaker Corporation • Germantown, WI U.S.A.  
www.jwspeaker.com • speaker@jwspeaker.com • 262.251.6660

# Adaptive LED Headlights - Model 8692 Adaptive

## APPLICATIONS

---



## INSTALLATION & APPLICATION INFORMATION

---

The headlights are designed to operate in a 2 lamp array. It requires 2 lamps to meet the legal requirements for both the high and low beams.

Headlight must be securely mounted and properly aimed such that the beam pattern cut off line complies with all applicable regulations. If you are not familiar with the legal requirements for aiming your headlights, please see a professional service provider. We recommend that headlights are aimed with a headlight aiming system for proper alignment.

## ADDITIONAL INFORMATION

---

Note about Front Position: The front position light is a requirement outside the United States. **If your bike is operated in the United States you do NOT need to connect this wire (red)** unless your bike is equipped with a front position light.

## RELATED PRODUCTS

---



### **Part Number**

**0553691**

12V DOT/ECE LED High  
& Low Beam Adaptive  
Headlight w Black  
Inner Bezel - Pre-  
assembled 2 Light Kit

---

**Print date: 2018-02-20**

© 2018 J.W. Speaker Corporation • Germantown, WI U.S.A.  
www.jwspeaker.com • speaker@jwspeaker.com • 262.251.6660

**J.W. SPEAKER**   
Engineered. Lighting. Solutions.