

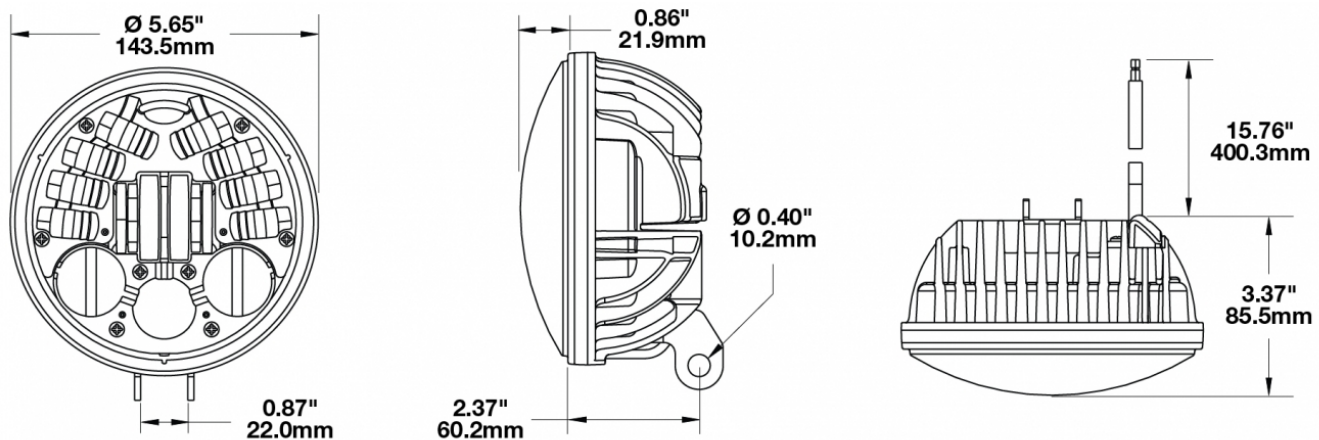
# Adaptive LED Headlights - Model 8691 Adaptive

## PRODUCT INFORMATION

<b>Description</b>	12V DOT/ECE LED High & Low Beam Adaptive Headlight with Chrome Inner Bezel
<b>Height</b>	143.00 mm / 5.63 in
<b>Width</b>	143.00 mm / 5.63 in
<b>Depth</b>	82.50 mm / 3.25 in
<b>Shape</b>	Round
<b>Outer Lens Material</b>	Polycarbonate
<b>Outer Lens Color</b>	Clear
<b>Housing Material</b>	Aluminum
<b>Housing Color</b>	Black
<b>Mounting Hardware Description</b>	450
<b>Retrofits</b>	Pedestal 5 3/4" Round Headlights (PAR46)
<b>Minimum Operating Temperature</b>	-40 °C / -40 °F
<b>Maximum Operating Temperature</b>	65 °C / 149 °F
<b>Product Weight</b>	2.00 lbs / 0.91 kgs
<b>Shipping Weight</b>	2.92 lbs / 1.32 kgs



## PRODUCT DIMENSIONS



Print date: 2017-10-24

© 2017 J.W. Speaker Corporation • Germantown, WI U.S.A.  
 www.jwspeaker.com • speaker@jwspeaker.com • 262.251.6660

**J.W. SPEAKER**   
 Engineered. Lighting. Solutions.

# Adaptive LED Headlights - Model 8691 Adaptive

## ELECTRICAL SPECIFICATIONS

---

<b>Input Voltage</b>	12 V
<b>Operating Voltage</b>	9-16 V
<b>Transient Spike Protection</b>	150V Peak @ 1 HZ-100 Pul
<b>Black Wire</b>	Ground
<b>White Wire</b>	High Beam
<b>Yellow Wire</b>	Low Beam
<b>Red Wire</b>	Front Position
<b>Current Draw</b>	1.9A @ 12V (Low) 3.2A @ 12V (High) .21A @ 12V (Front Position) 4.2A @ 12V (Low (full lean))

## REGULATORY STANDARDS COMPLIANCE

---



Buy America Standards  
ECE Reg 50  
FMVSS 108 Table XX

ECE Reg 113 Class D  
Eco Friendly  
IEC IP67

**Print date: 2017-10-24**

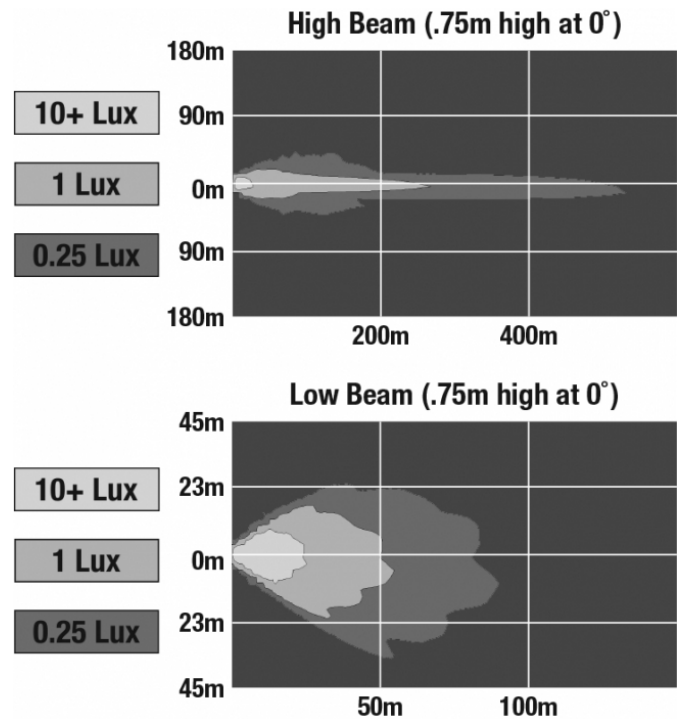
© 2017 J.W. Speaker Corporation • Germantown, WI U.S.A.  
www.jwspeaker.com • speaker@jwspeaker.com • 262.251.6660

**J.W. SPEAKER®**  
Engineered. Lighting. Solutions.

# Adaptive LED Headlights - Model 8691 Adaptive

## PHOTOMETRIC SPECIFICATIONS

<b>Raw Lumen Output</b>	3,520 (High Beam); 2,120 (Low Beam)
<b>Effective Lumen Output</b>	1,600 (High Beam); 1020 (Low Beam)
<b>Candela Output</b>	60,000 (High Beam); 8,300 (Low Beam)
<b>Nominal LED Color Temperature</b>	5000 K
<b>Beam Pattern(s)</b>	Forward Lighting - High Beam (DOT/ECE) Signalization - Front Position



## APPLICATIONS



## INSTALLATION & APPLICATION INFORMATION

Headlight must be securely mounted and properly aimed such that the beam pattern cut off line complies with all applicable regulations. If you are not familiar with the legal requirements for aiming your headlights, please see a professional service provider. We recommend that headlights are aimed with a headlight aiming system for proper alignment.

Print date: 2017-10-24

© 2017 J.W. Speaker Corporation • Germantown, WI U.S.A.  
www.jwspeaker.com • speaker@jwspeaker.com • 262.251.6660

# Adaptive LED Headlights - Model 8691 Adaptive

## ADDITIONAL INFORMATION

---

Note about Front Position: The front position light is a requirement outside the United States. **If your bike is operated in the United States you do NOT need to connect this wire (red)** unless your bike is equipped with a front position light.

## RELATED PRODUCTS

---



**Part Number**

**0552281**

12V DOT/ECE LED High  
& Low Beam Adaptive  
Headlight with Black  
Inner Bezel