

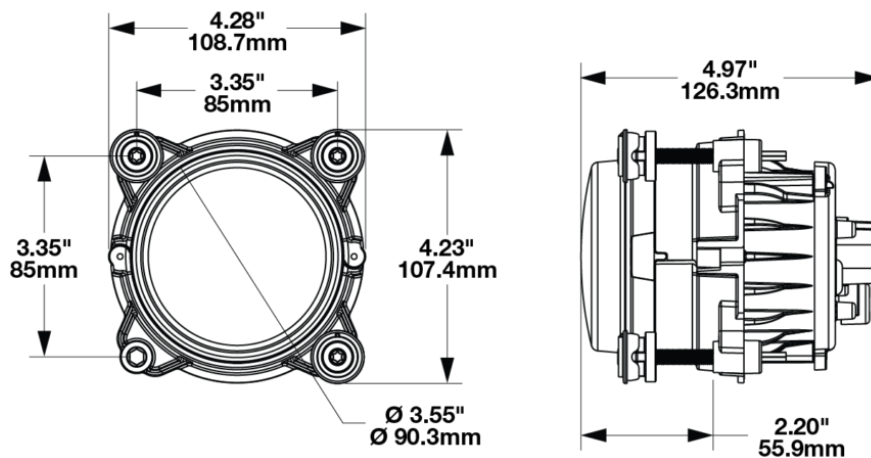
90mm 3-Point Lock Mount for 3mm Mounting Frame

PRODUCT INFORMATION

Description	90mm 3-Point Lock Mount for 3mm Mounting Frame
Product Weight	0.29 lbs / 0.13 kgs
Shipping Weight	0.48 lbs / 0.22 kgs
Additional Information	Kit Includes: (x2) Model 93 Half Brackets (x3) Adjuster Rod, 7mm Ball (x3) 7mm Ball Socket (x2) Screw, #4-20



PRODUCT DIMENSIONS



Print date: 2026-04-22

© 2026 J.W. Speaker Corporation • Germantown, WI U.S.A.
www.jwspeaker.com • speaker@jwspeaker.com • 262.251.6660

90mm 3-Point Lock Mount for 3mm Mounting Frame

REGULATORY STANDARDS COMPLIANCE



Buy America Standards

Eco Friendly

PRODUCT WARNINGS

For California residents:

⚠ **WARNING:** Cancer and reproductive harm - www.P65Warnings.ca.gov.

⚠ **AVERTISSEMENT:** Cancer et effet nocif sur la reproduction - www.P65Warnings.ca.gov.

SUITS THESE PRODUCTS



90mm Round LED Lights

90mm LED Headlight - Model 93