

Pedestal Mounting Bracket for Model 93 Double Lamp

PRODUCT INFORMATION

| | |
|------------------------|---|
| Description | Pedestal Mounting Bracket for Model 93 Double Lamp |
| Product Weight | 0.47 lbs / 0.21 kgs |
| Shipping Weight | 0.77 lbs / 0.35 kgs |

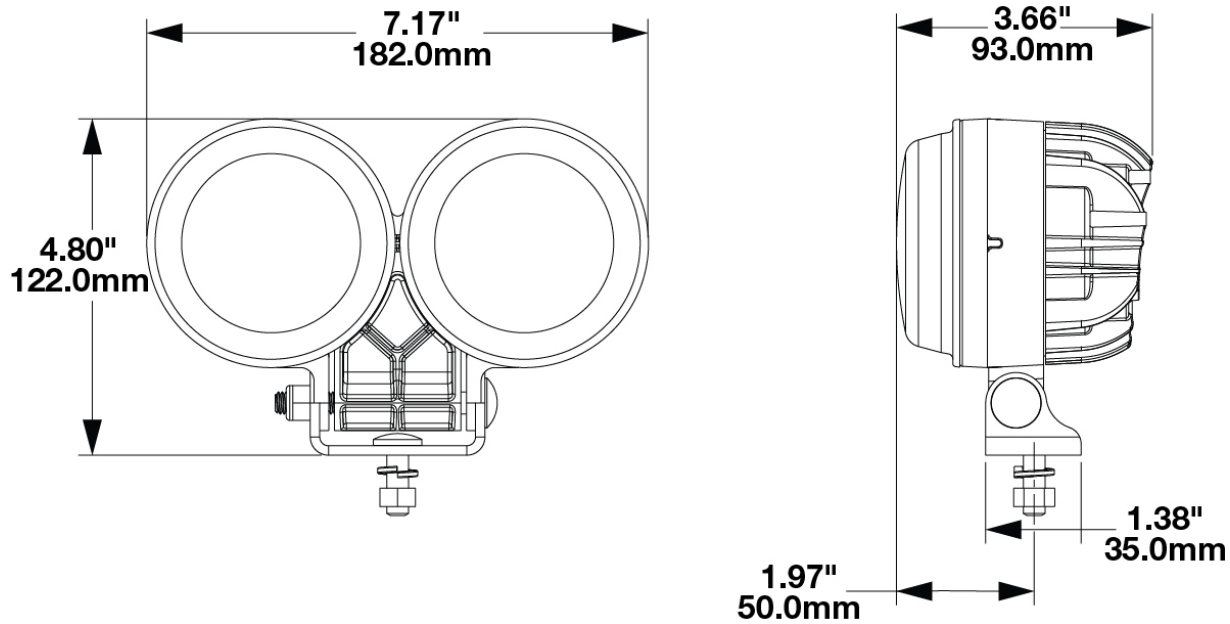


Print date: 2026-06-12

© 2026 J.W. Speaker Corporation • Germantown, WI U.S.A.
www.jwspeaker.com • speaker@jwspeaker.com • 262.251.6660

Pedestal Mounting Bracket for Model 93 Double Lamp

PRODUCT DIMENSIONS



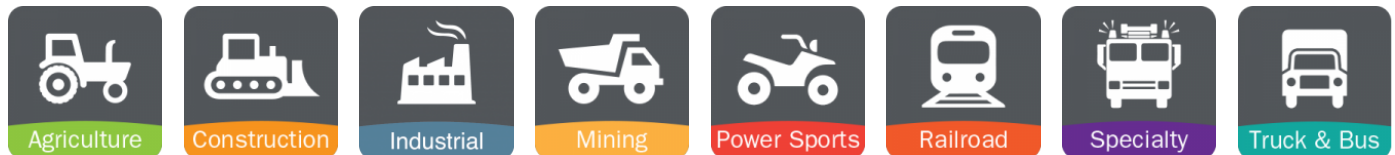
REGULATORY STANDARDS COMPLIANCE



Buy America Standards

Eco Friendly

APPLICATIONS



Print date: 2026-06-12

© 2026 J.W. Speaker Corporation • Germantown, WI U.S.A.
www.jwspeaker.com • speaker@jwspeaker.com • 262.251.6660

Pedestal Mounting Bracket for Model 93 Double Lamp

ADDITIONAL INFORMATION

Kit Includes:

- (x1) 5/16 X 1 Carriage Bolt
- (x1) 5/16 X 3 Carriage Bolt
- (x1) Double Clamp for Model 93
- (x1) Mounting Bracket
- (x1) 5/16 Lock Nut With Nylon Insert
- (x1) 5/16 Nut
- (x1) Lock Washer

PRODUCT WARNINGS

For California residents:

⚠ **WARNING:** Cancer and reproductive harm - www.P65Warnings.ca.gov.

⚠ **AVERTISSEMENT:** Cancer et effet nocif sur la reproduction - www.P65Warnings.ca.gov.

SUITS THESE PRODUCTS



90mm Round LED

Lights

90mm LED Headlight -
Model 93

Print date: 2026-06-12

© 2026 J.W. Speaker Corporation • Germantown, WI U.S.A.
www.jwspeaker.com • speaker@jwspeaker.com • 262.251.6660

J.W. SPEAKER 
Engineered. Lighting. Solutions.