

# Pedestal Mounting Bracket for Model 93 Single Lamp

## PRODUCT INFORMATION

---

<b>Description</b>	Pedestal Mounting Bracket for Model 93 Single Lamp
<b>Product Weight</b>	0.29 lbs / 0.13 kgs
<b>Shipping Weight</b>	0.31 lbs / 0.14 kgs



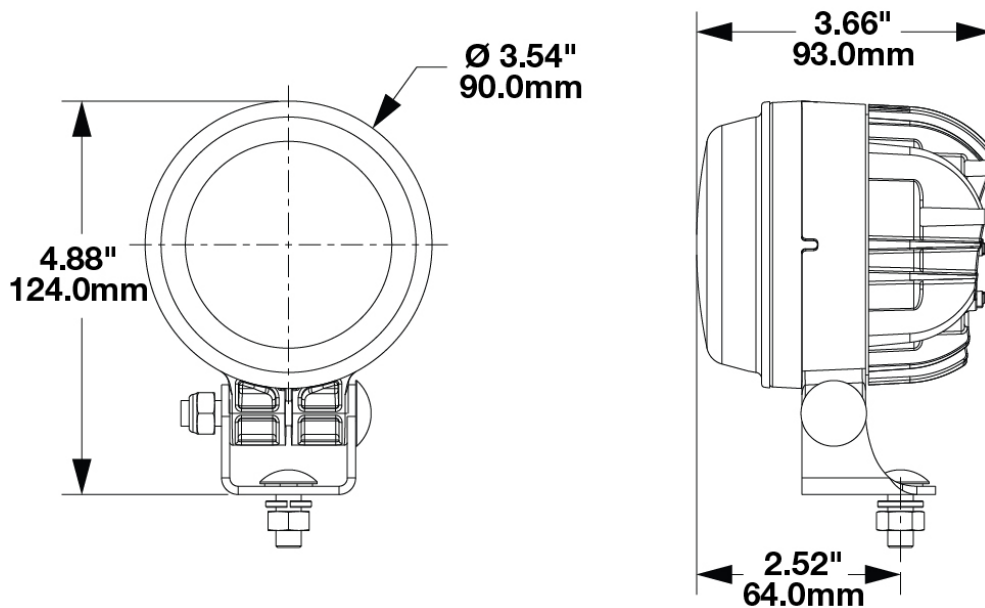
---

**Print date: 2025-10-03**

© 2025 J.W. Speaker Corporation • Germantown, WI U.S.A.  
www.jwspeaker.com • speaker@jwspeaker.com • 262.251.6660

# Pedestal Mounting Bracket for Model 93 Single Lamp

## PRODUCT DIMENSIONS



## REGULATORY STANDARDS COMPLIANCE



Buy America Standards

Eco Friendly

## APPLICATIONS



Print date: 2025-10-03

© 2025 J.W. Speaker Corporation • Germantown, WI U.S.A.  
www.jwspeaker.com • speaker@jwspeaker.com • 262.251.6660

# Pedestal Mounting Bracket for Model 93 Single Lamp

## ADDITIONAL INFORMATION

---

Kit Includes:

- (x1) M8 X 20 Carriage Bolt
- (x1) M8 X 55 Carriage Bolt
- (x1) Clamp, 90mm
- (x1) Mounting Bracket
- (x1) M8 Lock Nut With Nylon Insert
- (x1) M8 Nut
- (x1) Lock Washer

## PRODUCT WARNINGS

---

For California residents:

⚠ **WARNING:** Cancer and reproductive harm - [www.P65Warnings.ca.gov](http://www.P65Warnings.ca.gov).

⚠ **AVERTISSEMENT:** Cancer et effet nocif sur la reproduction - [www.P65Warnings.ca.gov](http://www.P65Warnings.ca.gov).

## SUITS THESE PRODUCTS

---



### **90mm Round LED**

### **Lights**

90mm LED Headlight -  
Model 93

---

**Print date: 2025-10-03**

© 2025 J.W. Speaker Corporation • Germantown, WI U.S.A.  
[www.jwspeaker.com](http://www.jwspeaker.com) • [speaker@jwspeaker.com](mailto:speaker@jwspeaker.com) • 262.251.6660

**J.W. SPEAKER**   
*Engineered. Lighting. Solutions.*