

Motorcycle Bar Mount Kit with Wiring Harness, Large

PRODUCT INFORMATION

Description

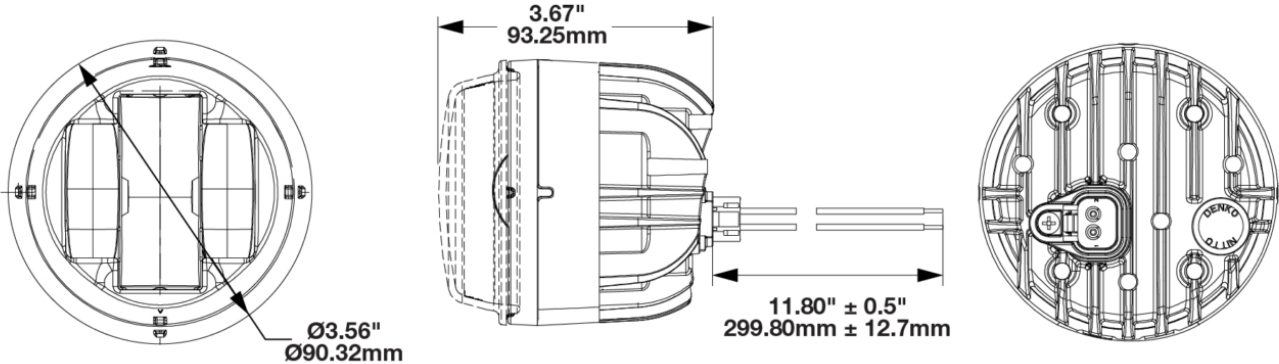
Motorcycle Bar Mount Kit with Wiring Harness, Large

Mounting Hardware Description

(x2) 1/4-20-0.75" Bolt, Flange, Hex Head
1/4-20 X 0.75



PRODUCT DIMENSIONS



Print date: 2019-12-14

© 2019 J.W. Speaker Corporation • Germantown, WI U.S.A.
www.jwspeaker.com • speaker@jwspeaker.com • 262.251.6660



Motorcycle Bar Mount Kit with Wiring Harness, Large

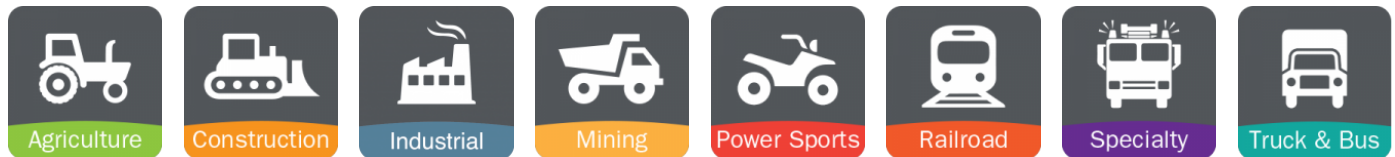
REGULATORY STANDARDS COMPLIANCE



Buy America Standards

Eco Friendly

APPLICATIONS



ADDITIONAL INFORMATION

Kit includes hardware and bar mount clamps to mount two model 93 lights to a motorcycle crash bar 25 mm to 29 mm in diameter, relay harness and handlebar mounted switch. No lights are included in this kit.

PRODUCT WARNINGS

For California residents:

⚠ **WARNING:** Cancer and reproductive harm - www.P65Warnings.ca.gov.

⚠ **AVERTISSEMENT:** Cancer et effet nocif sur la reproduction - www.P65Warnings.ca.gov.

Print date: 2019-12-14

© 2019 J.W. Speaker Corporation • Germantown, WI U.S.A.
www.jwspeaker.com • speaker@jwspeaker.com • 262.251.6660

Motorcycle Bar Mount Kit with Wiring Harness,

Large

SUITS THESE PRODUCTS



**90mm LED upfitter
lights**

90mm LED Lights -
Model 93