

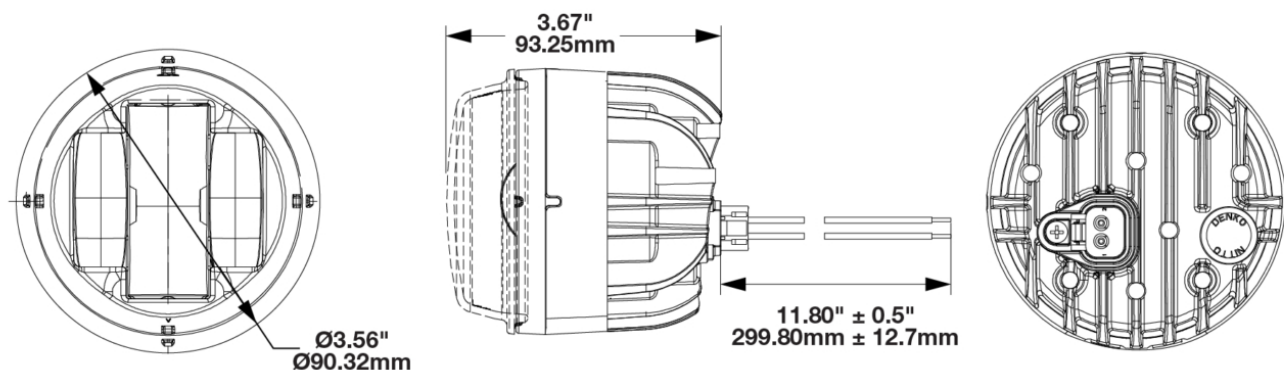
90mm LED Lights - Model 93

PRODUCT INFORMATION

Description	12-24V SAE/ECE LED Fog Light
Height	125.00 mm / 4.92 in
Width	90.00 mm / 3.54 in
Depth	95.00 mm / 3.74 in
Shape	Round
Outer Lens Material	Polycarbonate
Outer Lens Color	Clear
Housing Material	Die-Cast Aluminum
Housing Color	Black
Bezel Color	Black
Mounting Type	Pedestal
Minimum Operating Temperature	-40 °C / -40 °F
Maximum Operating Temperature	65 °C / 149 °F
Connector or Wiring	Deutsch DT04-2P
Mating Connector	Deutsch DT06-2S
Product Weight	1.00 lbs / 0.45 kgs
Shipping Weight	1.20 lbs / 0.54 kgs



PRODUCT DIMENSIONS



Print date: 2019-05-24

© 2019 J.W. Speaker Corporation • Germantown, WI U.S.A.
 www.jwspeaker.com • speaker@jwspeaker.com • 262.251.6660

J.W. SPEAKER
 Engineered. Lighting. Solutions.

90mm LED Lights - Model 93

ELECTRICAL SPECIFICATIONS

Input Voltage	12-24V DC
Operating Voltage	10-30V DC
Transient Spike Protection	150V Peak @ 1 HZ-100 Pulses
Red Wire	Positive
Black Wire	Ground
Current Draw	1.25A @ 12V DC (Fog) 0.70A @ 24V DC (Fog)

REGULATORY STANDARDS COMPLIANCE

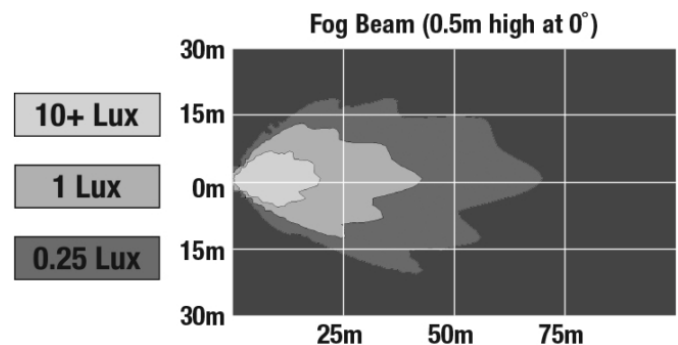


Buy America Standards
Eco Friendly
SAE J583

ECE Reg 19
IEC IP69K

PHOTOMETRIC SPECIFICATIONS

Raw Lumen Output	1,435
Effective Lumen Output	607
Candela Output	7,500
Nominal LED Color Temperature	5000 K
Beam Pattern(s)	Forward Lighting - Fog



Print date: 2019-05-24

© 2019 J.W. Speaker Corporation • Germantown, WI U.S.A.
www.jwspeaker.com • speaker@jwspeaker.com • 262.251.6660

90mm LED Lights - Model 93

APPLICATIONS



ACCESSORIES



Part Number
8001461
90mm Light 3-Point
Mount for 1.5mm
Mounting Frame



Part Number
8001471
90mm Light 3-Point
Mount for 3mm
Mounting Frame



Part Number
8001601
Pedestal Mounting
Bracket for Model 93
Single Lamp



Part Number
8001621
Pedestal Mounting
Bracket for Model 93
Double Lamp

90mm LED Lights - Model 93

RELATED PRODUCTS



Part Number
0347941

12-24V SAE/ECE LED
Turn Signal with DRL
Function



Part Number
0553071

12-24V DOT/ECE LED
High Beam Headlight



Part Number
0553081

12-24V DOT/ECE Reg
113 LED Symmetrical
Low Beam Headlight



Part Number
0553091

12-24V DOT/ECE Reg
112 LHT LED Low
Beam Headlight



Part Number
0553101

12-24V DOT/ECE Reg
112 RHT LED Low
Beam Headlight



Part Number
0554381

12-24V DOT/ECE LED
High Beam Headlight
with Front Position