

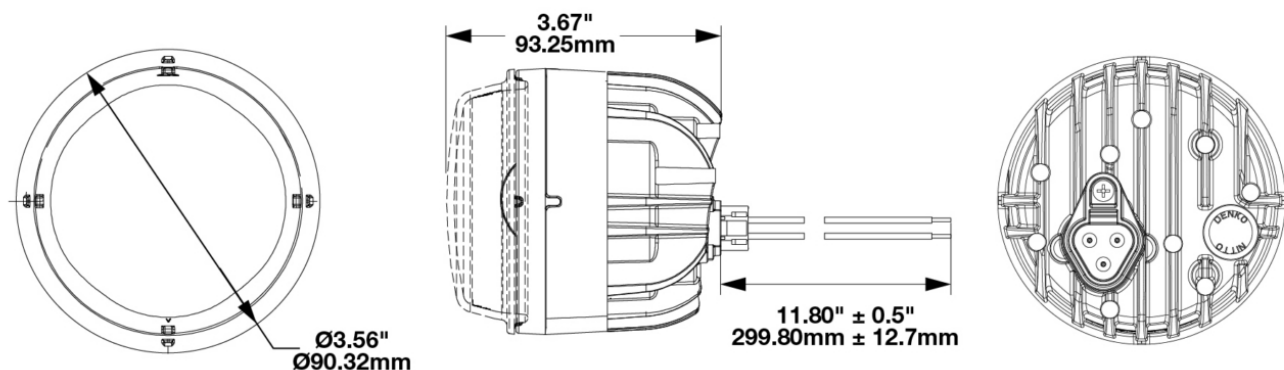
# 90mm LED Headlight - Model 93

## PRODUCT INFORMATION

<b>Description</b>	12-24V DOT/ECE LED High Beam Headlight with Front Position
<b>Height</b>	90.00 mm / 3.54 in
<b>Width</b>	90.00 mm / 3.54 in
<b>Depth</b>	95.00 mm / 3.74 in
<b>Shape</b>	Round
<b>Outer Lens Material</b>	Polycarbonate
<b>Outer Lens Color</b>	Clear
<b>Housing Material</b>	Die-Cast Aluminum
<b>Housing Color</b>	Black
<b>Bezel Color</b>	Black
<b>Minimum Operating Temperature</b>	-40 °C / -40 °F
<b>Maximum Operating Temperature</b>	65 °C / 149 °F
<b>Connector or Wiring</b>	Deutsch DT04-3P
<b>Mating Connector</b>	Deutsch DT06-3S
<b>Product Weight</b>	1.22 lbs / 0.55 kgs
<b>Shipping Weight</b>	1.44 lbs / 0.65 kgs



## PRODUCT DIMENSIONS



Print date: 2026-05-30

© 2026 J.W. Speaker Corporation • Germantown, WI U.S.A.  
 www.jwspeaker.com • speaker@jwspeaker.com • 262.251.6660

**J.W. SPEAKER**  
 Engineered. Lighting. Solutions.

# 90mm LED Headlight - Model 93

## ELECTRICAL SPECIFICATIONS

<b>Input Voltage</b>	12-24V DC
<b>Operating Voltage</b>	10-31V DC
<b>Black Wire</b>	Ground
<b>White Wire</b>	High Beam
<b>Yellow Wire</b>	Front Position
<b>Current Draw</b>	0.80A @ 12V DC (High Beam) 0.40A @ 24V DC (High Beam) 0.40A @ 12V DC (Front Position) 0.20A @ 24V DC (Front Position)

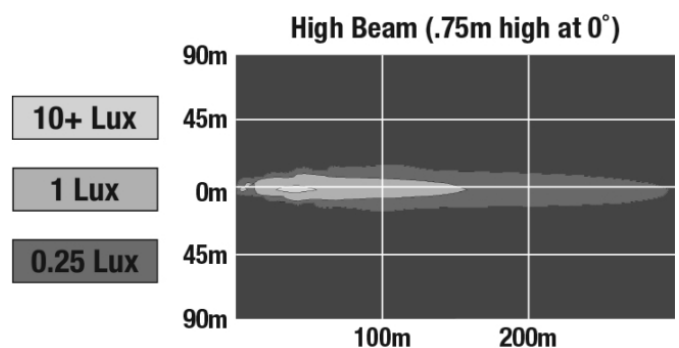
## REGULATORY STANDARDS COMPLIANCE



Buy America Standards	ECE Reg 10
ECE Reg 112	ECE Reg 7
Eco Friendly	FMVSS 108 s10.1 (Table XVIII)
IEC IP69K	

## PHOTOMETRIC SPECIFICATIONS

<b>Raw Lumen Output</b>	630
<b>Effective Lumen Output</b>	230
<b>Candela Output</b>	45,000
<b>Nominal LED Color Temperature</b>	5000 K
<b>Beam Pattern(s)</b>	Forward Lighting - High Beam (DOT/ECE) Signalization - Front Position



Print date: 2026-05-30

© 2026 J.W. Speaker Corporation • Germantown, WI U.S.A.  
www.jwspeaker.com • speaker@jwspeaker.com • 262.251.6660

# 90mm LED Headlight - Model 93

## APPLICATIONS



## ADDITIONAL INFORMATION

This is a single light, including (1) lamp and mounting hardware.

Headlight must be securely mounted and properly aimed such that the beam pattern cut off line complies with all applicable regulations. If you are not familiar with the legal requirements for aiming your headlights, please see a professional service provider. We recommend that headlights are aimed with a headlight aiming system for proper alignment.

This is an FMVSS UB6 high beam. It requires that the low beam is powered at the same time as the high beam to be compliant for use on the road.

3-point Mount for 1.5mm Mounting Frame is applicable for

- PN 0554381
- PN 0553071
- PN 0553091
- PN 0553101
- PN 0553081
- PN 0556701
- PN 0347941

3-point Mount for 3mm Mounting Frame is applicable for

- All Model 93 Lighting Options

## PRODUCT WARNINGS

For California residents:

**⚠ WARNING:** Cancer and reproductive harm - [www.P65Warnings.ca.gov](http://www.P65Warnings.ca.gov).

**⚠ AVERTISSEMENT:** Cancer et effet nocif sur la reproduction - [www.P65Warnings.ca.gov](http://www.P65Warnings.ca.gov).

Print date: 2026-05-30

© 2026 J.W. Speaker Corporation • Germantown, WI U.S.A.  
[www.jwspeaker.com](http://www.jwspeaker.com) • [speaker@jwspeaker.com](mailto:speaker@jwspeaker.com) • 262.251.6660

**J.W. SPEAKER**  
*Engineered. Lighting. Solutions.*

# 90mm LED Headlight - Model 93

## ACCESSORIES

---



**Part Number**  
**3271981**  
5 Function Wire  
Assembly for Model 93



**Part Number**  
**3272001**  
SAE/DOT Motorcycle  
Wire Assembly without  
DI/DRL for Model 93



**Part Number**  
**3272011**  
ECE Motorcycle Wire  
Assembly without DI  
for Model 93



**Part Number**  
**8001461**  
90mm Light 3-Point  
Mount for 1.5mm  
Mounting Frame



**Part Number**  
**8001471**  
90mm Light 3-Point  
Mount for 3mm  
Mounting Frame



**Part Number**  
**8001601**  
Pedestal Mounting  
Bracket for Model 93  
Single Lamp



**Part Number**  
**8001621**  
Pedestal Mounting  
Bracket for Model 93  
Double Lamp



**Part Number**  
**8201021**  
90mm 3-Point Lock  
Mount for 3mm  
Mounting Frame

# 90mm LED Headlight - Model 93

## RELATED PRODUCTS

---



**Part Number**  
**0347941**  
12-24V SAE/ECE LED  
Turn Signal with DRL  
Function



**Part Number**  
**0530091**  
12-24V DOT/ECE RHT  
LED High & Low Beam  
Headlight with Front  
Position



**Part Number**  
**0530101**  
12-24V ECE LHT LED  
High & Low Beam  
Headlight with Front  
Position



**Part Number**  
**0530321**  
12-24V SAE/ECE LED  
High & Low Beam with  
Front Position and DRL  
Function



**Part Number**  
**0553071**  
12-24V DOT/ECE LED  
High Beam Headlight



**Part Number**  
**0553081**  
12-24V DOT/ECE  
Symmetric LED Low  
Beam Headlight



**Part Number**  
**0553091**  
12-24V ECE LHT LED  
Low Beam Headlight



**Part Number**  
**0553101**  
12-24V DOT/ECE RHT  
LED Low Beam  
Headlight