

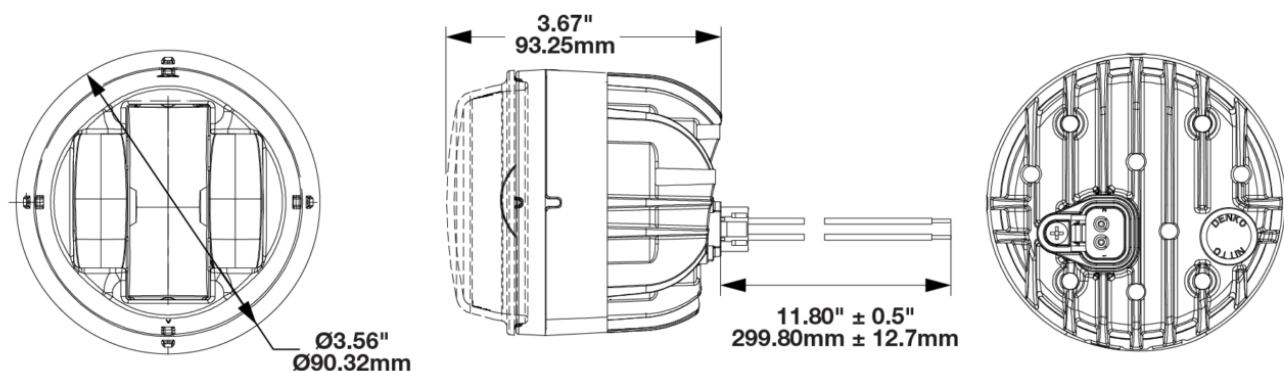
# 90mm LED Lights - Model 93

## PRODUCT INFORMATION

<b>Description</b>	12-24V DOT/ECE Reg 113 LED Symmetrical Low Beam Headlight
<b>Height</b>	90.00 mm / 3.54 in
<b>Width</b>	90.00 mm / 3.54 in
<b>Depth</b>	95.00 mm / 3.74 in
<b>Shape</b>	Round
<b>Outer Lens Material</b>	Polycarbonate
<b>Outer Lens Color</b>	Clear
<b>Housing Material</b>	Die-Cast Aluminum
<b>Housing Color</b>	Black
<b>Bezel Color</b>	Black
<b>Minimum Operating Temperature</b>	-40 °C / -40 °F
<b>Maximum Operating Temperature</b>	65 °C / 149 °F
<b>Connector or Wiring</b>	Deutsch DT04-2P
<b>Mating Connector</b>	Deutsch DT06-2S
<b>Product Weight</b>	1.19 lbs / 0.54 kgs
<b>Shipping Weight</b>	1.37 lbs / 0.62 kgs



## PRODUCT DIMENSIONS



Print date: 2019-05-25

© 2019 J.W. Speaker Corporation • Germantown, WI U.S.A.  
www.jwspeaker.com • speaker@jwspeaker.com • 262.251.6660

**J.W. SPEAKER**   
Engineered. Lighting. Solutions.

# 90mm LED Lights - Model 93

## ELECTRICAL SPECIFICATIONS

<b>Input Voltage</b>	12-24V DC
<b>Operating Voltage</b>	10-31V DC
<b>Transient Spike Protection</b>	150V Peak @ 1 HZ-100 Pulses
<b>Red Wire</b>	Positive
<b>Black Wire</b>	Negative
<b>Current Draw</b>	1.97A @ 12V DC (Low Beam) 0.98A @ 24V DC (Low Beam)

## REGULATORY STANDARDS COMPLIANCE

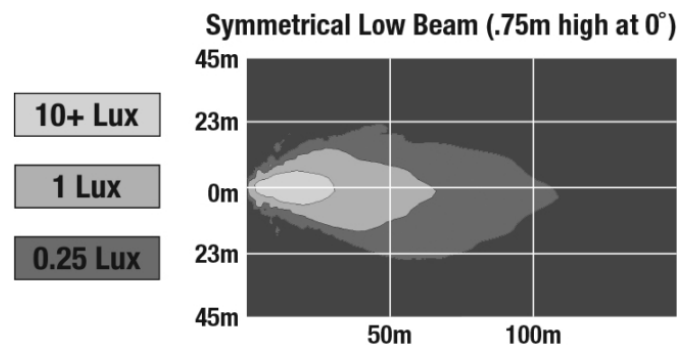


Buy America Standards  
Eco Friendly  
IEC IP69K

ECE Reg 113  
FMVSS 108 s10.1 (Table XIX)

## PHOTOMETRIC SPECIFICATIONS

<b>Raw Lumen Output</b>	1,910
<b>Effective Lumen Output</b>	575
<b>Candela Output</b>	18,000
<b>Nominal LED Color Temperature</b>	5000 K
<b>Beam Pattern(s)</b>	Forward Lighting - Driving Forward Lighting - Low Beam (DOT)



Print date: 2019-05-25

© 2019 J.W. Speaker Corporation • Germantown, WI U.S.A.  
www.jwspeaker.com • speaker@jwspeaker.com • 262.251.6660

# 90mm LED Lights - Model 93

## APPLICATIONS



## ADDITIONAL INFORMATION

This is a single light, including (1) lamp and mounting hardware.

Headlight must be securely mounted and properly aimed such that the beam pattern cut off line complies with all applicable regulations. If you are not familiar with the legal requirements for aiming your headlights, please see a professional service provider. We recommend that headlights are aimed with a headlight aiming system for proper alignment.

## ACCESSORIES



**Part Number**  
**8001461**  
90mm Light 3-Point  
Mount for 1.5mm  
Mounting Frame



**Part Number**  
**8001471**  
90mm Light 3-Point  
Mount for 3mm  
Mounting Frame



**Part Number**  
**8001601**  
Pedestal Mounting  
Bracket for Model 93  
Single Lamp



**Part Number**  
**8001621**  
Pedestal Mounting  
Bracket for Model 93  
Double Lamp

# 90mm LED Lights - Model 93

## RELATED PRODUCTS

---



**Part Number**  
**0347941**  
12-24V SAE/ECE LED  
Turn Signal with DRL  
Function



**Part Number**  
**0553071**  
12-24V DOT/ECE LED  
High Beam Headlight



**Part Number**  
**0553091**  
12-24V DOT/ECE Reg  
112 LHT LED Low  
Beam Headlight



**Part Number**  
**0553101**  
12-24V DOT/ECE Reg  
112 RHT LED Low  
Beam Headlight



**Part Number**  
**0554381**  
12-24V DOT/ECE LED  
High Beam Headlight  
with Front Position



**Part Number**  
**0556701**  
12-24V SAE/ECE LED  
Fog Light