

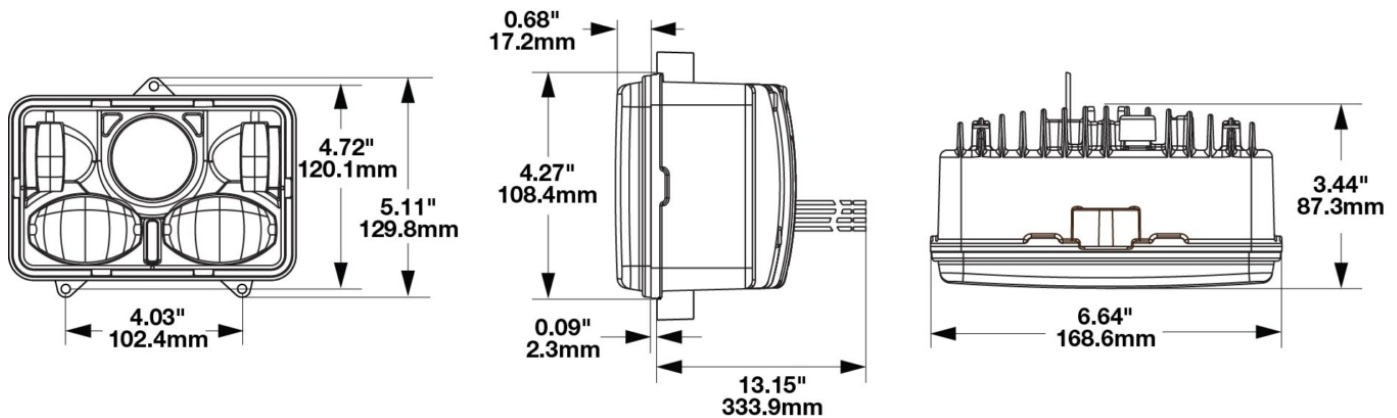
LED Headlights - Model 8820

PRODUCT INFORMATION

Description	12-24 ECE LED LHT High & Low Beam Headlight with FP & 3 Point Mount
Height	129.79 mm / 5.11 in
Width	168.66 mm / 6.64 in
Depth	87.38 mm / 3.44 in
Shape	Rectangular
Outer Lens Material	Polycarbonate
Outer Lens Color	Clear
Housing Material	Aluminum
Housing Color	Black
Bezel Color	Black
Mounting Type	3 Point Mount
Connector or Wiring	12" Flying Leads
Product Weight	2.50 lbs / 1.13 kgs
Shipping Weight	2.84 lbs / 1.29 kgs



PRODUCT DIMENSIONS



Print date: 2025-04-29

© 2025 J.W. Speaker Corporation • Germantown, WI U.S.A.
 www.jwspeaker.com • speaker@jwspeaker.com • 262.251.6660

J.W. SPEAKER
 Engineered. Lighting. Solutions.

LED Headlights - Model 8820

ELECTRICAL SPECIFICATIONS

Input Voltage	12-24V DC
Operating Voltage	10-30V DC
Black Wire	Ground
White Wire	High Beam
Yellow Wire	Low Beam
Red Wire	Front Position
Current Draw	1.11A @ 12V DC (Low Beam) 0.96A @ 24V DC (Low Beam) 2.14A @ 12V DC (High Beam) 1.56A @ 24V DC (High Beam) 0.056A @ 12V DC (Front Position) 0.065A @ 24V DC (Front Position)

REGULATORY STANDARDS COMPLIANCE



Buy America Standards
ECE Reg 7
IEC IP67

ECE Reg 112
Eco Friendly

Print date: 2025-04-29

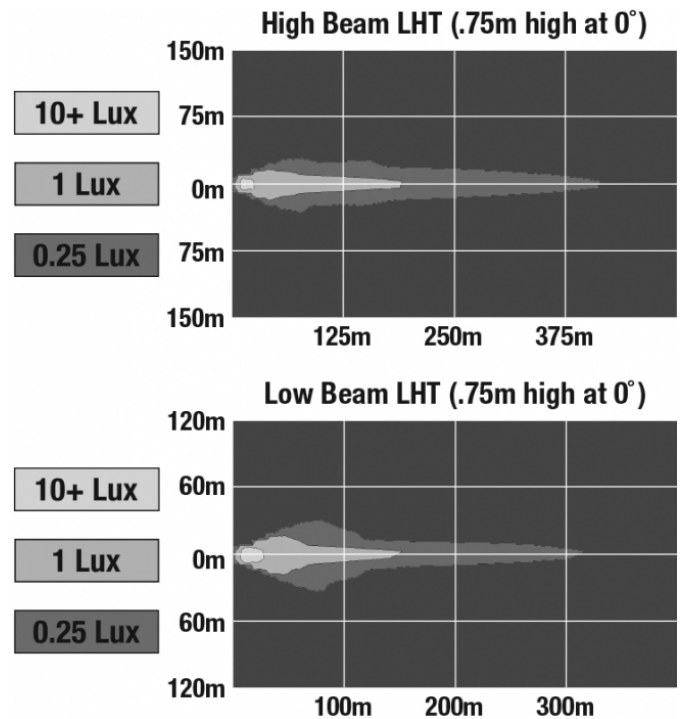
© 2025 J.W. Speaker Corporation • Germantown, WI U.S.A.
www.jwspeaker.com • speaker@jwspeaker.com • 262.251.6660

J.W. SPEAKER 
Engineered. Lighting. Solutions.

LED Headlights - Model 8820

PHOTOMETRIC SPECIFICATIONS

Raw Lumen Output	2,100 (High Beam); 1,850 (Low Beam)
Effective Lumen Output	755 (High Beam); 645 (Low Beam)
Beam Pattern(s)	Forward Lighting - High Beam (DOT/ECE) Forward Lighting - Low Beam (ECE Left Hand) Signalization - Front Position



APPLICATIONS



PRODUCT WARNINGS

For California residents:

⚠ **WARNING:** Cancer and reproductive harm - www.P65Warnings.ca.gov.

⚠ **AVERTISSEMENT:** Cancer et effet nocif sur la reproduction - www.P65Warnings.ca.gov.

Print date: 2025-04-29

© 2025 J.W. Speaker Corporation • Germantown, WI U.S.A.
www.jwspeaker.com • speaker@jwspeaker.com • 262.251.6660

J.W. SPEAKER
Engineered. Lighting. Solutions.

LED Headlights - Model 8820

RELATED PRODUCTS



Part Number
0550271
12-24 DOT/ECE LED
RHT High & Low Beam
Headlight with FP & 3
Point Mount



Part Number
0550931
12-24 DOT/ECE LED
RHT High & Low Beam
Headlight with FP &
Panel Mount



Part Number
0550941
12-24 ECE LED LHT
High & Low Beam
Headlight with FP &
Panel Mount