

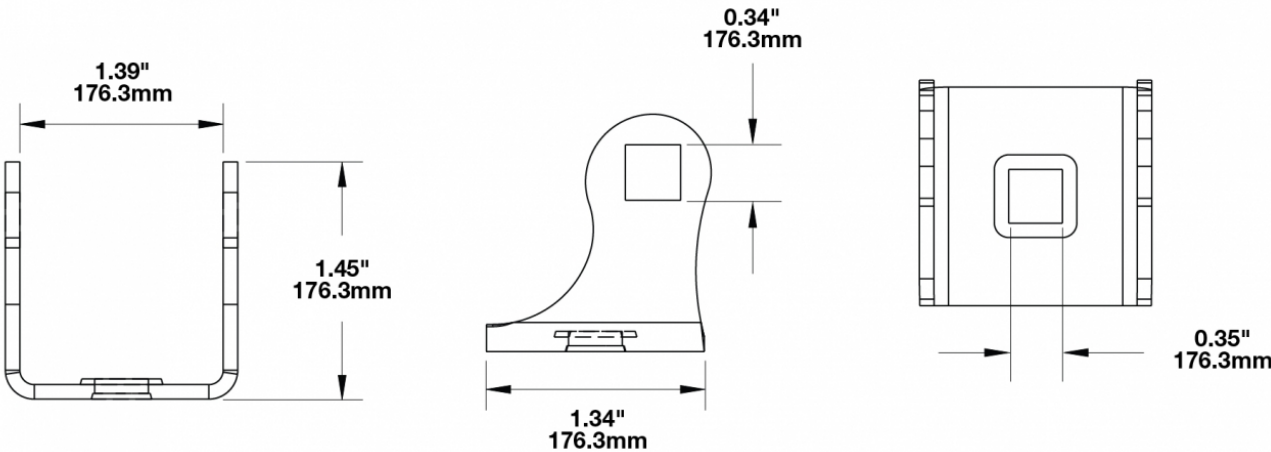
Stainless Steel Mounting Kit for Work Lights & Marine Lights

PRODUCT INFORMATION

Description	Stainless Steel Mounting Kit for Work Lights & Marine Lights
Shipping Weight	0.30 lbs / 0.14 kgs



PRODUCT DIMENSIONS



Print date: 2018-08-20

© 2018 J.W. Speaker Corporation • Germantown, WI U.S.A.
www.jwspeaker.com • speaker@jwspeaker.com • 262.251.6660



Stainless Steel Mounting Kit for Work Lights & Marine Lights

REGULATORY STANDARDS COMPLIANCE



Buy America Standards

SUITS THESE PRODUCTS



4.5" Round Heated & Non-Heated Work Lamps

LED Work Light - Model 670 XD



5.75" Round LED Work Lamps

LED Work Light - Model 680 XD



3" x 5" LED Work Lamps

LED Work Light - Model 736



5" x 3" Oval LED Work Lamps

LED Work Light - Model 770 XD



3" x 5" Round LED Work Lamps

LED Work Light - Model 771 XD



3" x 5" Combination Work Lamp & Turn Signal

LED Work Light & Turn Signal - Model 775 XD



4" x 4" LED Work Lamps

LED Work Light - Model 840 XD



5" x 3" LED Work Lamps

LED Work Light - Model 880 XD

Print date: 2018-08-20

© 2018 J.W. Speaker Corporation • Germantown, WI U.S.A.
www.jwspeaker.com • speaker@jwspeaker.com • 262.251.6660