

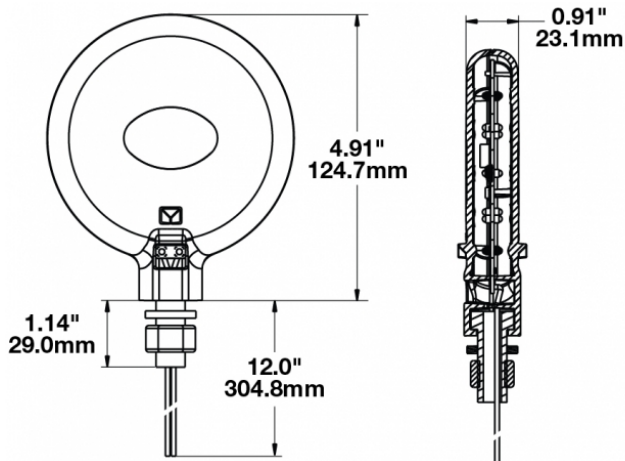
Model 206 LED Turn Signal Light

PRODUCT INFORMATION

Description	12-24V SAE Double-Sided LED Turn Signal without Guard
Height	124.71 mm / 4.91 in
Width	124.71 mm / 4.91 in
Depth	23.11 mm / 0.91 in
Shape	Round
Outer Lens Material	Polycarbonate
Outer Lens Color	Amber
Housing Material	Polycarbonate
Housing Color	Black
Mounting Type	Hollow Stud Mount
Minimum Operating Temperature	-40 °C / -40 °F
Maximum Operating Temperature	65 °C / 149 °F
Connector or Wiring	12" Bare Leads
Shipping Weight	1.70 lbs / 0.77 kgs



PRODUCT DIMENSIONS



Print date: 2018-07-22

© 2018 J.W. Speaker Corporation • Germantown, WI U.S.A.
www.jwspeaker.com • speaker@jwspeaker.com • 262.251.6660

J.W. SPEAKER®
 Engineered. Lighting. Solutions.

Model 206 LED Turn Signal Light

ELECTRICAL SPECIFICATIONS

Input Voltage	12-24V DC
Red Wire	Positive
Black Wire	Negative
Current Draw	0.575A @ 12V DC 0.267A @ 24V DC

REGULATORY STANDARDS COMPLIANCE



ASABE S279
Eco Friendly
SAE J974

Buy America Standards
IEC IP67

PHOTOMETRIC SPECIFICATIONS

Beam Pattern(s)	Signalization - Turn (Front) Signalization - Turn (Rear)
------------------------	---

APPLICATIONS



Print date: 2018-07-22

© 2018 J.W. Speaker Corporation • Germantown, WI U.S.A.
www.jwspeaker.com • speaker@jwspeaker.com • 262.251.6660



Model 206 LED Turn Signal Light

RELATED PRODUCTS



Part Number
0341931
12-24V SAE Double-Sided LED Turn Signal with Guard



Part Number
0342771
12-24V ECE/SAE Single-Sided LED Stop & Tail Light without Guard



Part Number
0342781
12-24V ECE/SAE Single-Sided LED Stop & Tail Light with Guard