

Model 6400 DC/DC Converter Light

PRODUCT INFORMATION

Description	24/48V DC/DC Converter w/ DT04-08PA Wiring Connector
Height	92.00 mm / 3.62 in
Width	119.00 mm / 4.69 in
Depth	42.80 mm / 1.69 in
Shape	Rectangular
Outer Lens Material	n/a
Outer Lens Color	n/a
Housing Material	Die Cast Aluminum
Housing Color	gray
Bezel Color	n/a
Minimum Operating Temperature	-40 °C / -40 °F
Maximum Operating Temperature	50 °C / 122 °F
Connector or Wiring	DT04-08PA
Mating Connector	DT0 608SA-EP07
Product Weight	0.72 lbs / 0.33 kgs
Shipping Weight	7.18 lbs / 3.26 kgs

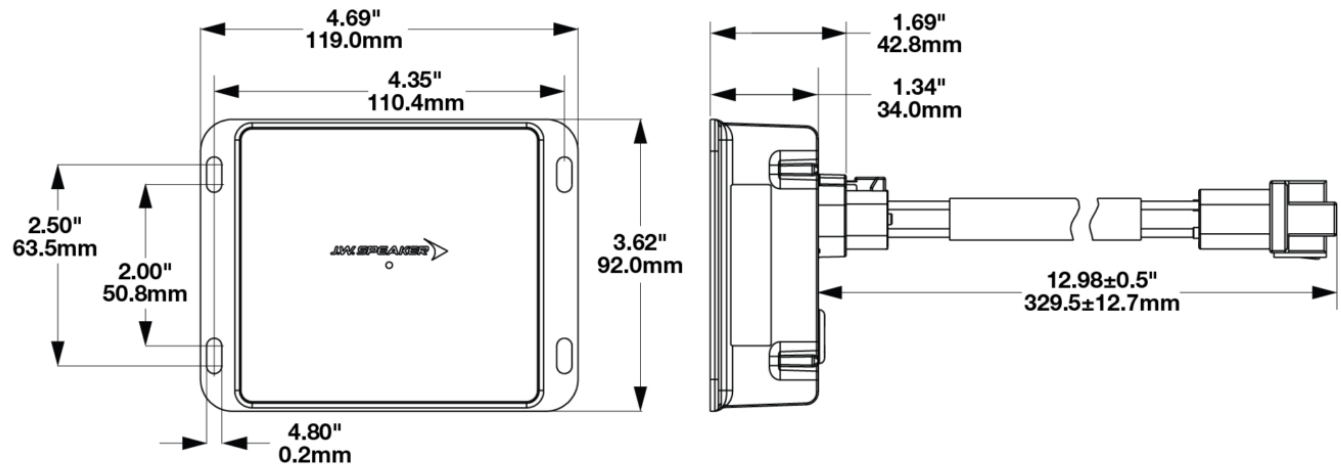


Print date: 2021-03-07

© 2021 J.W. Speaker Corporation • Germantown, WI U.S.A.
www.jwspeaker.com • speaker@jwspeaker.com • 262.251.6660

Model 6400 DC/DC Converter Light

PRODUCT DIMENSIONS



ELECTRICAL SPECIFICATIONS

Input Voltage	22.5-55V DC
Black/White Wire	Load Return
White Wire	VIN Positive
Black Wire	VIN Return
Red Wire	Load Positive

REGULATORY STANDARDS COMPLIANCE



IEC IP69K

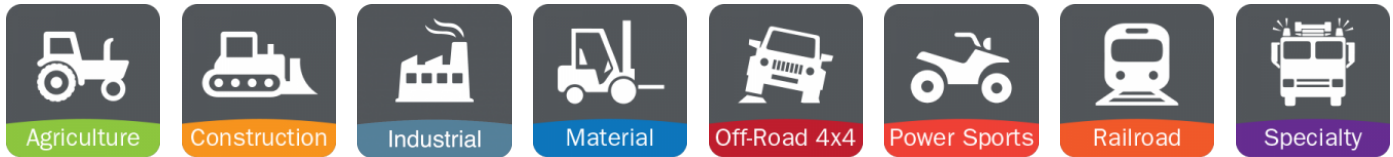
UL Recognized

Print date: 2021-03-07

© 2021 J.W. Speaker Corporation • Germantown, WI U.S.A.
 www.jwspeaker.com • speaker@jwspeaker.com • 262.251.6660

Model 6400 DC/DC Converter Light

APPLICATIONS



PRODUCT WARNINGS

For California residents:

⚠ **WARNING:** Cancer and reproductive harm - www.P65Warnings.ca.gov.

⚠ **AVERTISSEMENT:** Cancer et effet nocif sur la reproduction - www.P65Warnings.ca.gov.

RELATED PRODUCTS



Part Number

0842342

24/48V DC/DC
Converter w/ 4-pin
Sumitomo Wiring
Connector



Part Number

0842352

24/48V DC/DC
Converter w/ Amp
Wiring Connector



Part Number

0842362

24/48V DC/DC
Converter w/ Wiring
Connector

Print date: 2021-03-07

© 2021 J.W. Speaker Corporation • Germantown, WI U.S.A.
www.jwspeaker.com • speaker@jwspeaker.com • 262.251.6660