

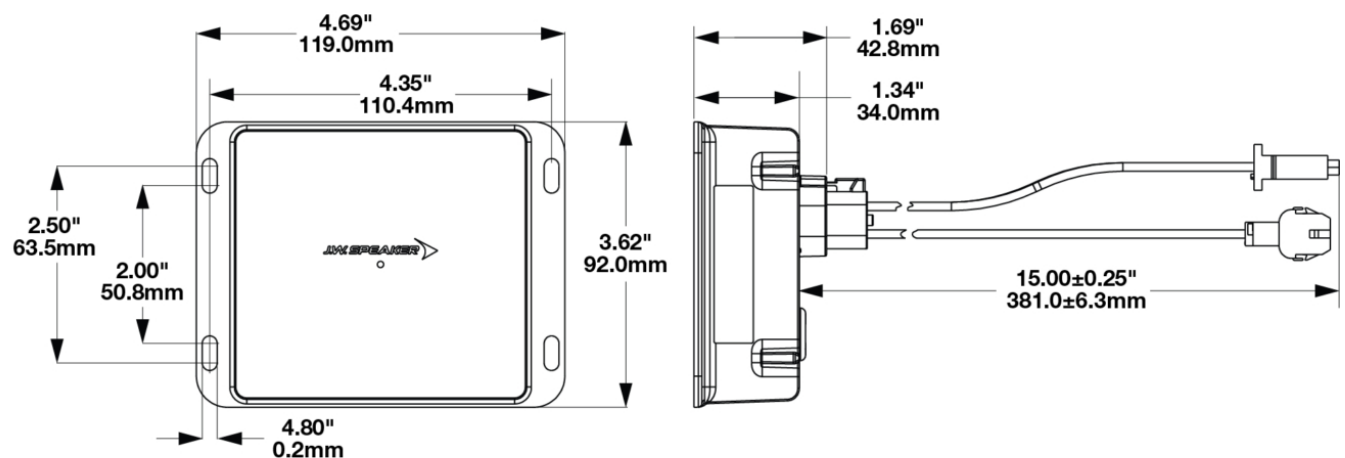
# Model 6400 DC/DC Converter Light

## PRODUCT INFORMATION

<b>Description</b>	24/48V DC/DC Converter w/ Amp Wiring Connector
<b>Height</b>	92.00 mm / 3.62 in
<b>Width</b>	119.00 mm / 4.69 in
<b>Depth</b>	42.80 mm / 1.69 in
<b>Shape</b>	Rectangle
<b>Outer Lens Material</b>	n/a
<b>Outer Lens Color</b>	n/a
<b>Housing Material</b>	Die Cast Aluminum
<b>Housing Color</b>	Gray
<b>Bezel Color</b>	n/a
<b>Minimum Operating Temperature</b>	-40 °C / -40 °F
<b>Maximum Operating Temperature</b>	50 °C / 122 °F
<b>Connector or Wiring</b>	AMP 1-480698-0 & AMP 1-480699-0
<b>Mating Connector</b>	AMP 1-480699-0 & AMP 1-480698-0
<b>Product Weight</b>	0.68 lbs / 0.31 kgs
<b>Shipping Weight</b>	6.80 lbs / 3.08 kgs



## PRODUCT DIMENSIONS



Print date: 2021-03-07

© 2021 J.W. Speaker Corporation • Germantown, WI U.S.A.  
 www.jwspeaker.com • speaker@jwspeaker.com • 262.251.6660

**J.W. SPEAKER**  
 Engineered. Lighting. Solutions.

# Model 6400 DC/DC Converter Light

## ELECTRICAL SPECIFICATIONS

<b>Input Voltage</b>	22.5 - 55V DC
<b>Black/White Wire</b>	Load Return
<b>White Wire</b>	VIN Positive
<b>Black Wire</b>	VIN Return
<b>Red Wire</b>	Load Positive

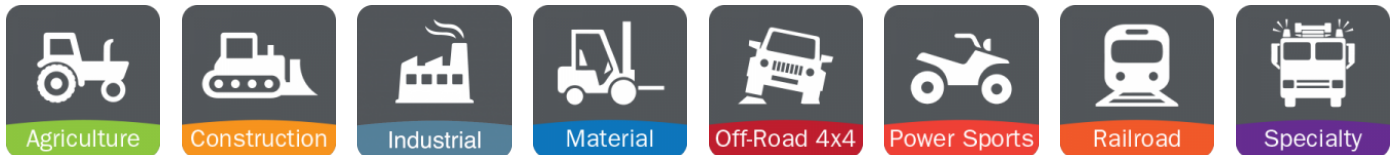
## REGULATORY STANDARDS COMPLIANCE



IEC IP69K

UL Recognized

## APPLICATIONS



## PRODUCT WARNINGS

For California residents:

**⚠ WARNING:** Cancer and reproductive harm - [www.P65Warnings.ca.gov](http://www.P65Warnings.ca.gov).

**⚠ AVERTISSEMENT:** Cancer et effet nocif sur la reproduction - [www.P65Warnings.ca.gov](http://www.P65Warnings.ca.gov).

Print date: 2021-03-07

© 2021 J.W. Speaker Corporation • Germantown, WI U.S.A.  
[www.jwspeaker.com](http://www.jwspeaker.com) • [speaker@jwspeaker.com](mailto:speaker@jwspeaker.com) • 262.251.6660

**J.W. SPEAKER**  
 Engineered. Lighting. Solutions.

# Model 6400 DC/DC Converter Light

## RELATED PRODUCTS

---



**Part Number**  
**0842342**  
24/48V DC/DC  
Converter w/ 4-pin  
Sumitomo Wiring  
Connector



**Part Number**  
**0842362**  
24/48V DC/DC  
Converter w/ Wiring  
Connector



**Part Number**  
**0842432**  
24/48V DC/DC  
Converter w/  
DT04-08PA Wiring  
Connector