

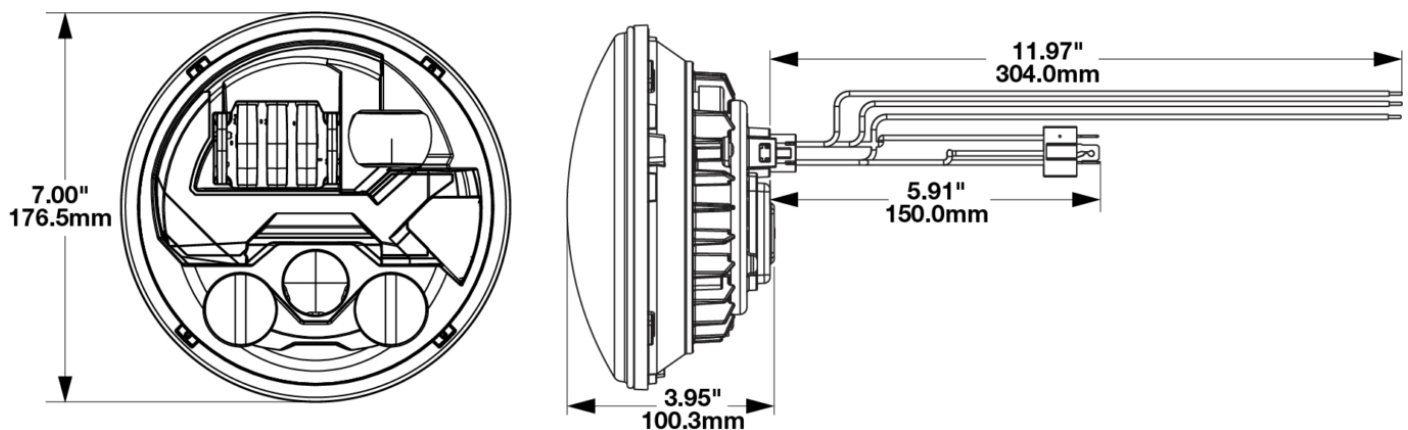
# Model 8700 EVO3 L Front Position Light

## PRODUCT INFORMATION

<b>Description</b>	12V LHT ECE LED High/Low Beam Headlight - Chrome - Single RH Light
<b>Height</b>	176.50 mm / 6.95 in
<b>Width</b>	176.50 mm / 6.95 in
<b>Depth</b>	112.00 mm / 4.41 in
<b>Shape</b>	Round
<b>Outer Lens Material</b>	Polycarbonate
<b>Outer Lens Color</b>	Clear
<b>Housing Material</b>	Aluminum
<b>Housing Color</b>	Black
<b>Bezel Color</b>	Chrome
<b>Retrofits</b>	7" Round Headlights or 2D1 PAR56
<b>Minimum Operating Temperature</b>	-40 °C / -40 °F
<b>Maximum Operating Temperature</b>	65 °C / 149 °F
<b>Connector or Wiring</b>	H4 / (3X) 11.97" Flying Leads
<b>Product Weight</b>	2.25 lbs / 1.02 kgs
<b>Shipping Weight</b>	3.35 lbs / 1.52 kgs



## PRODUCT DIMENSIONS



Print date: 2020-10-30

© 2020 J.W. Speaker Corporation • Germantown, WI U.S.A.  
 www.jwspeaker.com • speaker@jwspeaker.com • 262.251.6660

**J.W. SPEAKER**   
 Engineered. Lighting. Solutions.

# Model 8700 EVO3 L Front Position Light

## ELECTRICAL SPECIFICATIONS

---

<b>Input Voltage</b>	12V DC
<b>Operating Voltage</b>	9-16V DC
<b>Transient Spike Protection</b>	150V Peak @ 1 HZ-100 Pulses
<b>Black Wire</b>	Ground
<b>Yellow Wire</b>	Low Beam
<b>White Wire</b>	High Beam
<b>Brown Wire</b>	Front turn
<b>Red Wire</b>	Position
<b>Blue Wire</b>	DRL
<b>Current Draw</b>	2.33A @ 12V DC (Low Beam) 3.25A @ 12V DC (High Beam) 3.00A @ 12V DC (Front turn) 0.45A @ 12V DC (Position) 3.00A @ 12V DC (DRL)

## REGULATORY STANDARDS COMPLIANCE

---



ECE Reg 112  
ECE Reg 87



ECE Reg 7  
IEC IP69K

---

**Print date: 2020-10-30**

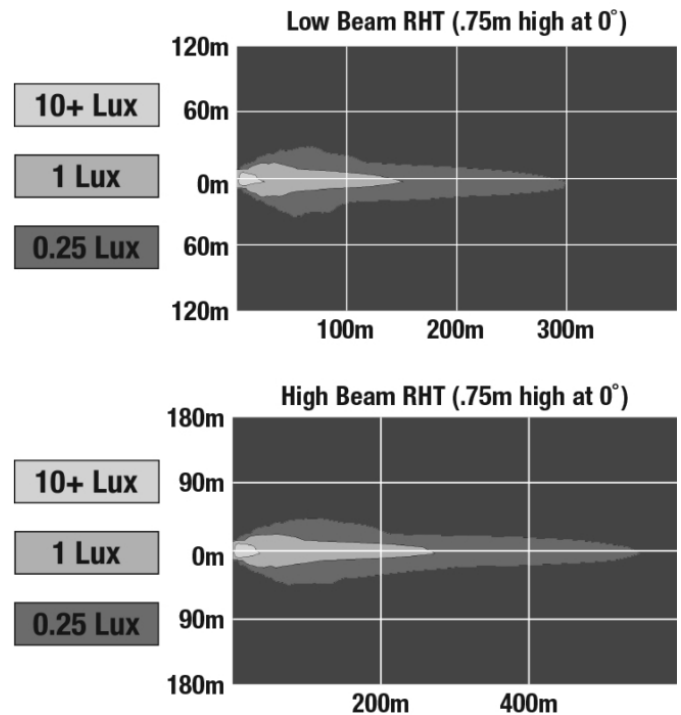
© 2020 J.W. Speaker Corporation • Germantown, WI U.S.A.  
www.jwspeaker.com • speaker@jwspeaker.com • 262.251.6660

**J.W. SPEAKER**   
Engineered. Lighting. Solutions.

# Model 8700 EVO3 L Front Position Light

## PHOTOMETRIC SPECIFICATIONS

<b>Raw Lumen Output</b>	3,600 (High Beam); 3,020 (Low Beam)
<b>Effective Lumen Output</b>	1,320 (High Beam); 1,201 (Low Beam)
<b>Candela Output</b>	68,800 (High Beam) 24,800 (Low Beam)
<b>Nominal LED Color Temperature</b>	5000 K
<b>Beam Pattern(s)</b>	Forward Lighting - Daytime Running Light Forward Lighting - High Beam (ECE) Forward Lighting - Low Beam (ECE Left Hand) Signalization - Front Position Signalization - Turn (Front)



## APPLICATIONS



## PRODUCT WARNINGS

For California residents:

**⚠ WARNING:** Cancer and reproductive harm - [www.P65Warnings.ca.gov](http://www.P65Warnings.ca.gov).

**⚠ AVERTISSEMENT:** Cancer et effet nocif sur la reproduction - [www.P65Warnings.ca.gov](http://www.P65Warnings.ca.gov).

Print date: 2020-10-30

© 2020 J.W. Speaker Corporation • Germantown, WI U.S.A.  
[www.jwspeaker.com](http://www.jwspeaker.com) • [speaker@jwspeaker.com](mailto:speaker@jwspeaker.com) • 262.251.6660

**J.W. SPEAKER**  
 Engineered. Lighting. Solutions.

# Model 8700 EVO3 L Front Position Light

## RELATED PRODUCTS

NON-HEATED  
RIGHT HAND HEADLIGHTNON-HEATED  
LEFT HAND HEADLIGHT

**Part Number**  
**0558123**

12V RHT DOT/ECE LED  
High/Low Beam  
Headlight - Chrome - 2  
Light Kit



HEATED RIGHT HAND HEADLIGHT

HEATED LEFT HAND HEADLIGHT

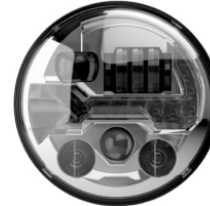
**Part Number**  
**0558133**

12V RHT DOT/ECE LED  
High/Low Beam  
Heated Headlight -  
Chrome - 2 Light Kit



**Part Number**  
**0558161**

12V RHT DOT/ECE LED  
High/Low Beam  
Headlight - Chrome -  
Single RH Light



**Part Number**  
**0558171**

12V RHT DOT/ECE LED  
High/Low Beam  
Headlight - Chrome -  
Single LH Light



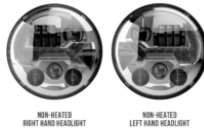
**Part Number**  
**0558201**

12V RHT DOT/ECE LED  
High/Low Beam  
Heated Headlight -  
Chrome - Single RH  
Light



**Part Number**  
**0558211**

12V RHT DOT/ECE LED  
High/Low Beam  
Heated Headlight -  
Chrome - Single LH  
Light

NON-HEATED  
RIGHT HAND HEADLIGHTNON-HEATED  
LEFT HAND HEADLIGHT

**Part Number**  
**0558243**

12V LHT ECE LED  
High/Low Beam  
Headlight - Chrome - 2  
Light Kit



HEATED RIGHT HAND HEADLIGHT

HEATED LEFT HAND HEADLIGHT

**Part Number**  
**0558253**

12V LHT ECE LED  
High/Low Beam  
Heated Headlight -  
Chrome - 2 Light Kit

Print date: 2020-10-30

© 2020 J.W. Speaker Corporation • Germantown, WI U.S.A.  
www.jwspeaker.com • speaker@jwspeaker.com • 262.251.6660

**J.W. SPEAKER**®  
Engineered. Lighting. Solutions.