

LED Turn Signal - Model 200

PRODUCT INFORMATION

Description	9-16V DOT SAE ECE LED FRONT AMBER TURN LIGHT W/ CLEAR LENS
Height	80 mm / 3.15 in
Width	80 mm / 3.15 in
Depth	74.3 mm / 2.93 in
Shape	Round
Outer Lens Material	Polycarbonate
Outer Lens Color	Clear
Housing Material	Polycarbonate
Housing Color	Black
Connector or Wiring	Integrated 3-Pin Zanxxx Socket
Mating Connector	ZANXX ZFJ-00703-UA
Product Weight	0.22 lbs / 0.1 kgs
Shipping Weight	1.49 lbs / 0.68 kgs

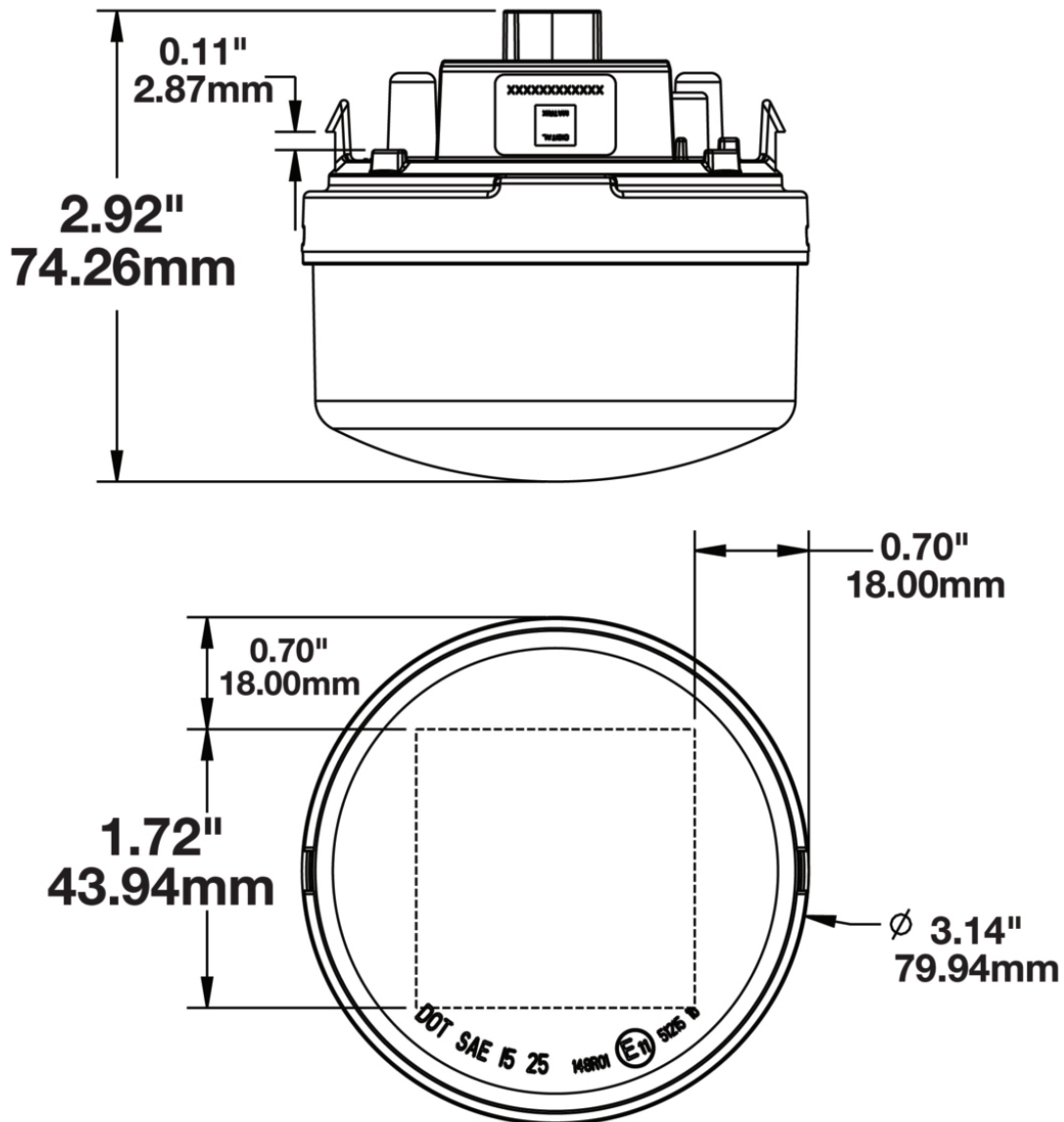


Print date: 2026-06-12

© 2026 J.W. Speaker Corporation • Germantown, WI U.S.A.
www.jwspeaker.com • speaker@jwspeaker.com • 262.251.6660

LED Turn Signal - Model 200

PRODUCT DIMENSIONS



Print date: 2026-06-12

© 2026 J.W. Speaker Corporation • Germantown, WI U.S.A.
www.jwspeaker.com • speaker@jwspeaker.com • 262.251.6660

LED Turn Signal - Model 200

ELECTRICAL SPECIFICATIONS

Input Voltage	9-16V AC
Operating Voltage	9-16V AC
Current Draw	0.22A @ 12V AC (Front Turn)

PHOTOMETRIC SPECIFICATIONS

Beam Pattern(s) Signalization - Turn (Front)

PRODUCT WARNINGS

For California residents:

⚠ **WARNING:** Cancer and reproductive harm - www.P65Warnings.ca.gov.

⚠ **AVERTISSEMENT:** Cancer et effet nocif sur la reproduction - www.P65Warnings.ca.gov.

RELATED PRODUCTS



Part Number

0348942

9-16V DOT SAE ECE
LED FRONT AMBER
TURN LIGHT W/
AMBER LENS

Print date: 2026-06-12

© 2026 J.W. Speaker Corporation • Germantown, WI U.S.A.
www.jwspeaker.com • speaker@jwspeaker.com • 262.251.6660