

# LED Turn Signal - Model 200

## PRODUCT INFORMATION

---

<b>Description</b>	9-16V DOT SAE ECE LED FRONT AMBER TURN LIGHT W/ AMBER LENS
<b>Height</b>	80.00 mm / 3.15 in
<b>Width</b>	80.00 mm / 3.15 in
<b>Depth</b>	74.30 mm / 2.93 in
<b>Shape</b>	Round
<b>Outer Lens Material</b>	Polycarbonate
<b>Outer Lens Color</b>	Amber
<b>Housing Material</b>	Polycarbonate
<b>Housing Color</b>	Black
<b>Connector or Wiring</b>	Integrated 3-Pin Zanxxx Socket
<b>Mating Connector</b>	ZANXX ZFJ-00703-UA
<b>Product Weight</b>	0.22 lbs / 0.1 kgs
<b>Shipping Weight</b>	1.49 lbs / 0.68 kgs



---

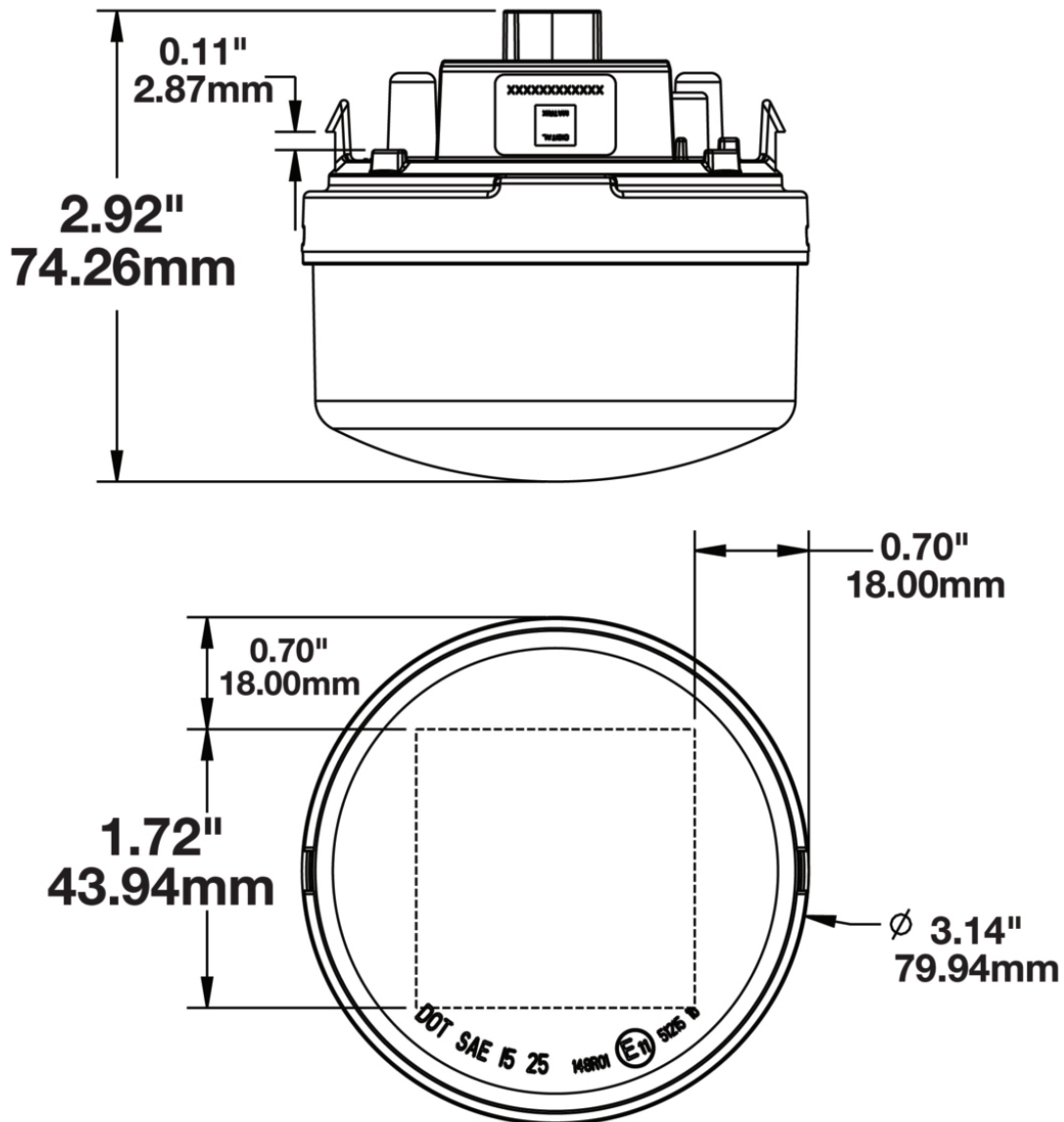
**Print date: 2026-06-12**

© 2026 J.W. Speaker Corporation • Germantown, WI U.S.A.  
www.jwspeaker.com • speaker@jwspeaker.com • 262.251.6660

**J.W. SPEAKER**   
*Engineered. Lighting. Solutions.*

# LED Turn Signal - Model 200

## PRODUCT DIMENSIONS



Print date: 2026-06-12

© 2026 J.W. Speaker Corporation • Germantown, WI U.S.A.  
www.jwspeaker.com • speaker@jwspeaker.com • 262.251.6660

# LED Turn Signal - Model 200

## ELECTRICAL SPECIFICATIONS

---

<b>Input Voltage</b>	9-16V AC
<b>Operating Voltage</b>	9-16V AC
<b>Current Draw</b>	0.22A @ 12V AC (Front Turn)

## PHOTOMETRIC SPECIFICATIONS

---

**Beam Pattern(s)**     Signalization - Turn (Front)

## PRODUCT WARNINGS

---

For California residents:

⚠ **WARNING:** Cancer and reproductive harm - [www.P65Warnings.ca.gov](http://www.P65Warnings.ca.gov).

⚠ **AVERTISSEMENT:** Cancer et effet nocif sur la reproduction - [www.P65Warnings.ca.gov](http://www.P65Warnings.ca.gov).

## RELATED PRODUCTS

---



**Part Number**

**0348952**

9-16V DOT SAE ECE  
LED FRONT AMBER  
TURN LIGHT W/ CLEAR  
LENS

---

**Print date: 2026-06-12**

© 2026 J.W. Speaker Corporation • Germantown, WI U.S.A.  
[www.jwspeaker.com](http://www.jwspeaker.com) • [speaker@jwspeaker.com](mailto:speaker@jwspeaker.com) • 262.251.6660