

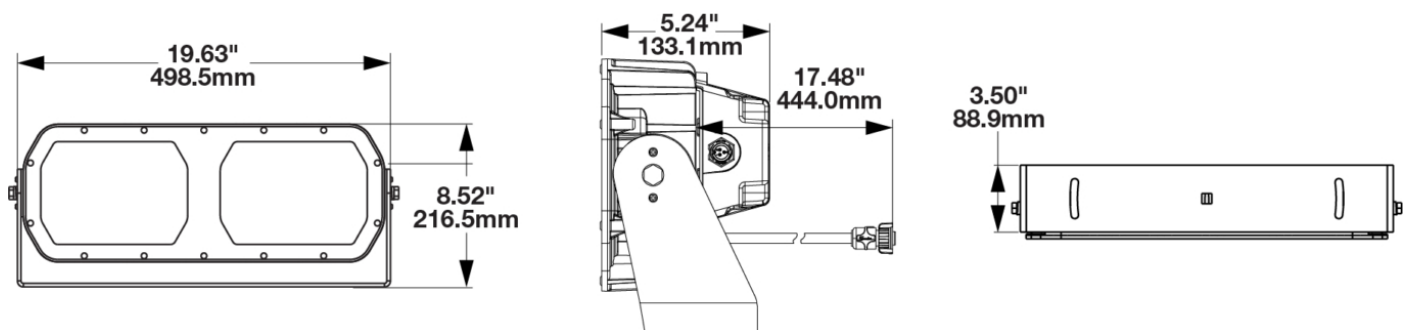
# Model 623 AC KIT L Auxiliary Light

## PRODUCT INFORMATION

<b>Description</b>	100-277V LED Work Light with Medium Flood Beam Pattern - Kit
<b>Height</b>	216.33 mm / 8.52 in
<b>Width</b>	498.52 mm / 19.63 in
<b>Depth</b>	74.80 mm / 2.94 in
<b>Shape</b>	Rectangular
<b>Outer Lens Material</b>	Glass
<b>Outer Lens Color</b>	Clear
<b>Housing Material</b>	Die-Cast Aluminum
<b>Housing Color</b>	Black
<b>Bezel Color</b>	Black
<b>Mounting Type</b>	Universal Pedestal Mount
<b>Minimum Operating Temperature</b>	-40 °C / -40 °F
<b>Maximum Operating Temperature</b>	90 °C / 194 °F
<b>Product Weight</b>	18.00 lbs / 8.16 kgs
<b>Shipping Weight</b>	19.49 lbs / 8.84 kgs



## PRODUCT DIMENSIONS



Print date: 2024-11-10

© 2024 J.W. Speaker Corporation • Germantown, WI U.S.A.  
[www.jwspeaker.com](http://www.jwspeaker.com) • [speaker@jwspeaker.com](mailto:speaker@jwspeaker.com) • 262.251.6660

**J.W. SPEAKER**  
 Engineered. Lighting. Solutions.

# Model 623 AC KIT L Auxiliary Light

## ELECTRICAL SPECIFICATIONS

<b>Input Voltage</b>	100-277V AC
<b>Operating Voltage</b>	100-277V AC
<b>White Wire</b>	Power
<b>Black Wire</b>	Ground
<b>Current Draw</b>	4A @ 115V AC

## REGULATORY STANDARDS COMPLIANCE

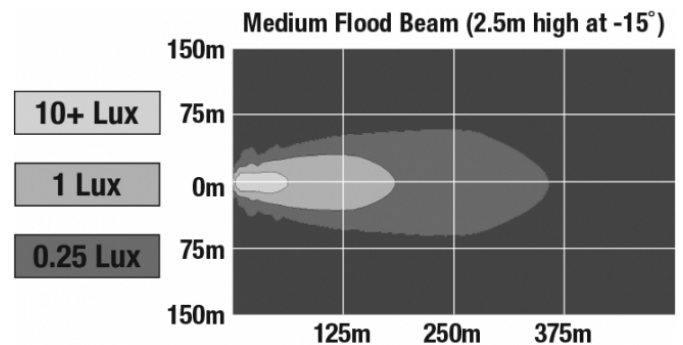


Buy America Standards  
IEC IP67

Eco Friendly  
IEC IP69K

## PHOTOMETRIC SPECIFICATIONS

<b>Raw Lumen Output</b>	33,600
<b>Effective Lumen Output</b>	20,500
<b>Nominal LED Color Temperature</b>	5000 K
<b>Beam Pattern(s)</b>	Forward Lighting - Flood (Narrow)



## APPLICATIONS



Print date: 2024-11-10

© 2024 J.W. Speaker Corporation • Germantown, WI U.S.A.  
www.jwspeaker.com • speaker@jwspeaker.com • 262.251.6660

# Model 623 AC KIT L Auxiliary Light

## ADDITIONAL INFORMATION

---

### Kit Contents Include:

- Model 623 Light - 24V only version
- Model 6406 Driver (#0842311)
- Hardware Bag 1: with mounting hardware (3 each of bolts, nuts & washers)
- Hardware Bag 2: hardware to attach the #0842311 Driver to the back of the lamp (contains 4 Taptite screws) (#8200430)
- AC Input Harness - connects the Driver to the Model 623 Lamp (#3269651)

## PRODUCT WARNINGS

---

For California residents:

⚠ **WARNING:** Cancer and reproductive harm - [www.P65Warnings.ca.gov](http://www.P65Warnings.ca.gov).

⚠ **AVERTISSEMENT:** Cancer et effet nocif sur la reproduction - [www.P65Warnings.ca.gov](http://www.P65Warnings.ca.gov).

## RELATED PRODUCTS

---



### Part Number

**0556173**

100-277V LED Work  
Light with Narrow  
Flood Beam Pattern -  
Kit



### Part Number

**0556193**

100-277V LED Work  
Light with Wide Flood  
Beam Pattern - Kit

---

**Print date: 2024-11-10**

© 2024 J.W. Speaker Corporation • Germantown, WI U.S.A.  
[www.jwspeaker.com](http://www.jwspeaker.com) • [speaker@jwspeaker.com](mailto:speaker@jwspeaker.com) • 262.251.6660

**J.W. SPEAKER**   
*Engineered. Lighting. Solutions.*