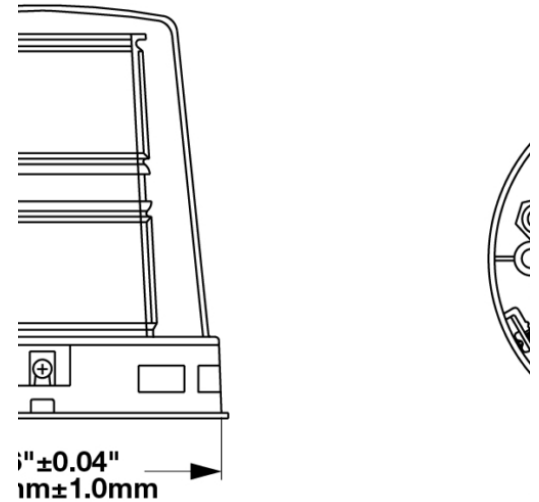


Model 541 E Light

PRODUCT INFORMATION

Description	12V Flashing Warning Lamp with Amber Lens
Height	152.40 mm / 6 in
Width	133.60 mm / 5.26 in
Depth	133.60 mm / 5.26 in
Shape	Round
Outer Lens Material	Polycarbonate
Outer Lens Color	Amber
Housing Material	Polycarbonate
Housing Color	Black
Connector or Wiring	Bare Leads
Product Weight	1.20 lbs / 0.54 kgs
Shipping Weight	2.40 lbs / 1.09 kgs



ELECTRICAL SPECIFICATIONS

Input Voltage	12V DC
Current Draw	1.92A @ 12V DC

REGULATORY STANDARDS COMPLIANCE

UL Recognized

PHOTOMETRIC SPECIFICATIONS

Beam Pattern(s)	Warning - Flashing Warning
------------------------	----------------------------

Print date: 2024-02-29

© 2024 J.W. Speaker Corporation • Germantown, WI U.S.A.
www.jwspeaker.com • speaker@jwspeaker.com • 262.251.6660

Model 541 E Light

APPLICATIONS



PRODUCT WARNINGS

For California residents:

⚠ **WARNING:** Cancer and reproductive harm - www.P65Warnings.ca.gov.

⚠ **AVERTISSEMENT:** Cancer et effet nocif sur la reproduction - www.P65Warnings.ca.gov.

Print date: 2024-02-29

© 2024 J.W. Speaker Corporation • Germantown, WI U.S.A.
www.jwspeaker.com • speaker@jwspeaker.com • 262.251.6660