

# Motorcycle LED Headlights - Model 8680

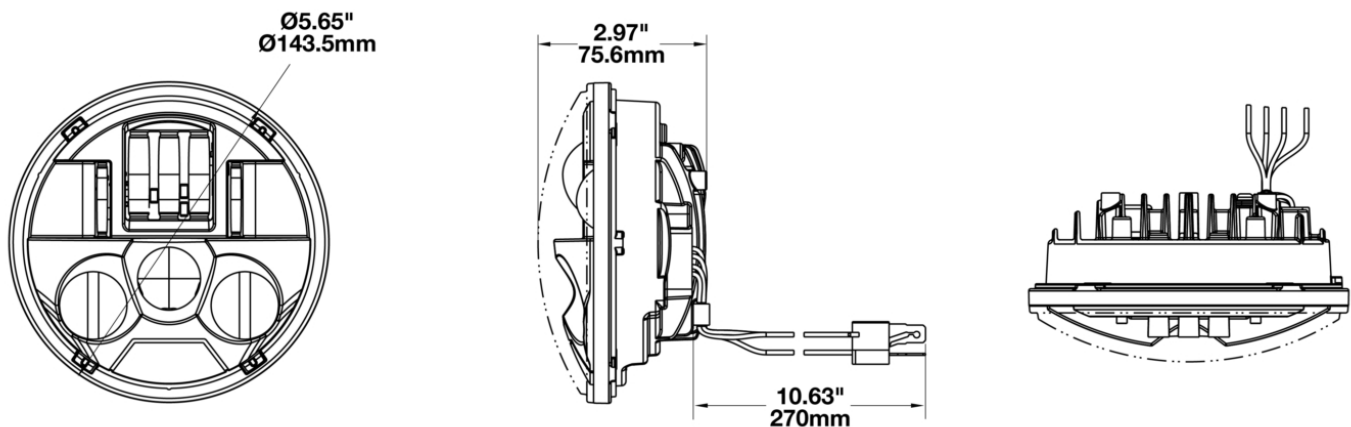
## PRODUCT INFORMATION

<b>Description</b>	12V DOT/ECE High & Low Beam Headlight with Graphite Inner Bezel - MOTODEMIC
<b>Height</b>	143.50 mm / 5.65 in
<b>Width</b>	143.50 mm / 5.65 in
<b>Depth</b>	75.60 mm / 2.98 in
<b>Shape</b>	Round
<b>Outer Lens Material</b>	Polycarbonate
<b>Outer Lens Color</b>	Clear
<b>Housing Material</b>	Aluminum
<b>Housing Color</b>	Black
<b>Bezel Color</b>	Graphite
<b>Retrofits</b>	Bucket 5.75" Round Headlight (PAR46)
<b>Connector or Wiring</b>	H4
<b>Mating Connector</b>	H4 AMP#172515-2
<b>Shipping Weight</b>	12.00 lbs / 5.44 kgs
<b>Additional Information</b>	Includes H-4 connector with 4th front position wire for ECE compliance.



**MODEL**  
**8680**

## PRODUCT DIMENSIONS



Print date: 2018-04-20

© 2018 J.W. Speaker Corporation • Germantown, WI U.S.A.  
www.jwspeaker.com • speaker@jwspeaker.com • 262.251.6660

**J.W. SPEAKER**  
Engineered. Lighting. Solutions.

# Motorcycle LED Headlights - Model 8680

## ELECTRICAL SPECIFICATIONS

---

<b>Input Voltage</b>	12 V
<b>Operating Voltage</b>	9-16 V
<b>Black Wire</b>	Ground
<b>White Wire</b>	High Beam
<b>Yellow Wire</b>	Low Beam
<b>Red Wire</b>	Front Position
<b>Current Draw</b>	2.29A @ 12V (High Beam) 1.77A @ 12V (Low Beam) 0.21A @ 12V (Front Position)

## REGULATORY STANDARDS COMPLIANCE

---



ECE Reg 10  
ECE Reg 50  
IEC IP67

Tested to ECE Reg. 10  
(Radiated Emissions only)



ECE Reg 113  
FMVSS 108 Table XX  
SAE J584



**Print date: 2018-04-20**

© 2018 J.W. Speaker Corporation • Germantown, WI U.S.A.  
www.jwspeaker.com • speaker@jwspeaker.com • 262.251.6660

# Motorcycle LED Headlights - Model 8680

## PHOTOMETRIC SPECIFICATIONS

---

<b>Raw Lumen Output</b>	3,080 (High Beam); 1,950 (Low Beam)
<b>Effective Lumen Output</b>	1,200 (High Beam); 750 (Low Beam)
<b>Candela Output</b>	62,800 (High Beam); 7,500 (Low Beam)
<b>Nominal LED Color Temperature</b>	5000 K
<b>Beam Pattern(s)</b>	Forward Lighting - High Beam (DOT/ECE) Forward Lighting - Low Beam (DOT/ECE)

## APPLICATIONS

---



---

**Print date: 2018-04-20**

© 2018 J.W. Speaker Corporation • Germantown, WI U.S.A.  
www.jwspeaker.com • speaker@jwspeaker.com • 262.251.6660

**J.W. SPEAKER**   
*Engineered. Lighting. Solutions.*