

# 4" Round Rubber Mounting Grommet for Model 234

## PRODUCT INFORMATION

---

|                                      |  |
|--------------------------------------|--|
| <b>Description</b>                   | 4" Round Rubber Mounting Grommet for Model 234   |
| <b>Height</b>                        | 5.32 mm / 0.21 in                                |
| <b>Width</b>                         | 5.32 mm / 0.21 in                                |
| <b>Depth</b>                         | 1.03 mm / 0.04 in                                |
| <b>Shape</b>                         | Round  |
| <b>Housing Material</b>              | Rubber   |
| <b>Housing Color</b>                 | Black  |
| <b>Mounting Hardware Description</b> | (x1)   |
| <b>Additional Information</b>        | Designed to fit Diameter for a 4.50" panel hole. |



---

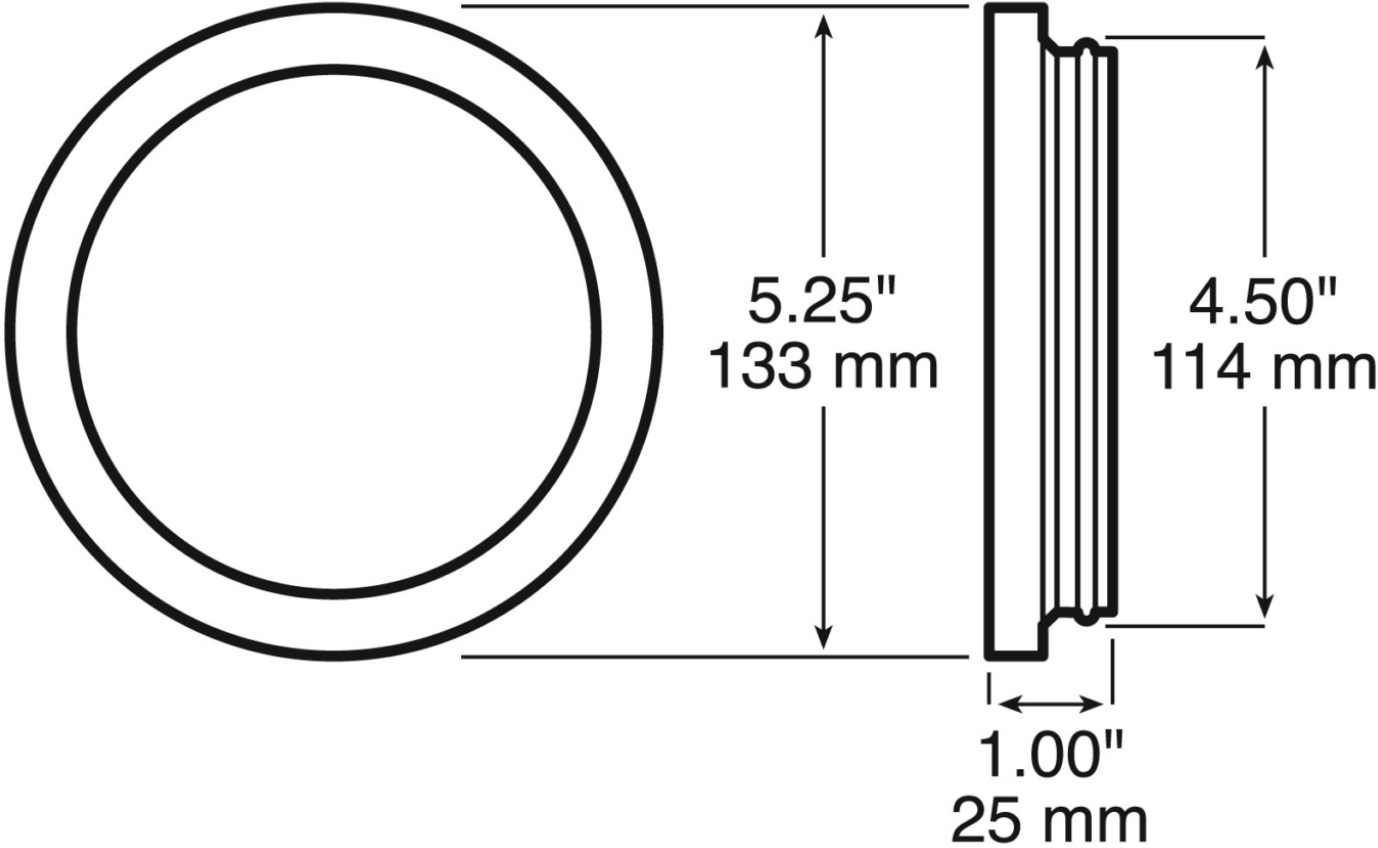
**Print date: 2017-06-26**

© 2017 J.W. Speaker Corporation • Germantown, WI U.S.A.  
www.jwspeaker.com • speaker@jwspeaker.com • 262.251.6660

# 4" Round Rubber Mounting Grommet for

## Model 234

**PRODUCT DIMENSIONS**



**REGULATORY STANDARDS COMPLIANCE**



Buy America Standards

Eco Friendly

Print date: 2017-06-26

© 2017 J.W. Speaker Corporation • Germantown, WI U.S.A.  
www.jwspeaker.com • speaker@jwspeaker.com • 262.251.6660



# 4" Round Rubber Mounting Grommet for Model 234

## APPLICATIONS



## MODEL 234 MOUNTING ACCESSORIES

J.W. Speaker offers a variety of mounting accessories, sold separately from the tail lights as single parts.

- Chrome Finish Plastic Trim Ring can be used with the Rubber Mounting Grommet (2 & 1).
- Stainless Steel Trim Ring can be used with the Plastic Mounting Flange (4 & 3).



Part No. 3270501



Part No. 8200451



Part No. 5869401



Part No. 8200441

## SUITS THESE PRODUCTS



### 4" Heated & Non-Heated Tail Lights

LED Tail Lights - Model 234

Print date: 2017-06-26

© 2017 J.W. Speaker Corporation • Germantown, WI U.S.A.  
www.jwspeaker.com • speaker@jwspeaker.com • 262.251.6660

**J.W. SPEAKER**  
Engineered. Lighting. Solutions.