

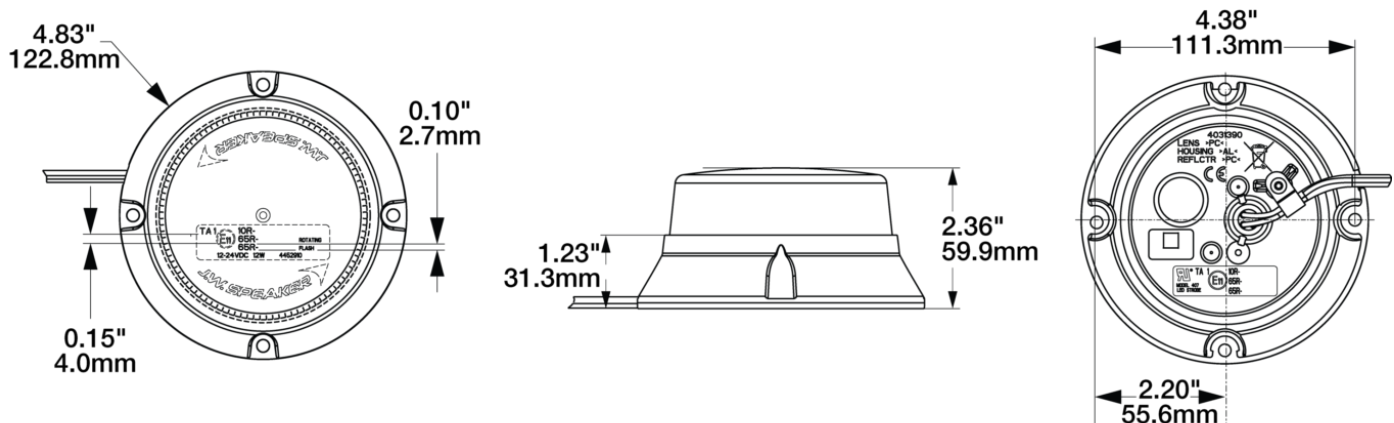
LED Emergency Strobe Lights - Model 407 Slim

PRODUCT INFORMATION

Description	12-24V LED Class I ECE/SAE Amber Strobe Light
Height	122.80 mm / 4.83 in
Width	122.80 mm / 4.83 in
Depth	60.00 mm / 2.36 in
Shape	Round
Outer Lens Material	Polycarbonate
Outer Lens Color	Amber
Housing Material	Die-cast Aluminum
Housing Color	Black
Mounting Hardware Description	(x4) #8-16 x 3/4" Mounting Screw
Minimum Operating Temperature	-40 °C / -40 °F
Maximum Operating Temperature	60 °C / 140 °F
Connector or Wiring	18" Leads
Product Weight	0.70 lbs / 0.32 kgs
Shipping Weight	0.85 lbs / 0.39 kgs



PRODUCT DIMENSIONS



Print date: 2025-02-08

© 2025 J.W. Speaker Corporation • Germantown, WI U.S.A.
www.jwspeaker.com • speaker@jwspeaker.com • 262.251.6660

J.W. SPEAKER
 Engineered. Lighting. Solutions.

LED Emergency Strobe Lights - Model 407 Slim

ELECTRICAL SPECIFICATIONS

Input Voltage	12-24V DC
Operating Voltage	9-32V DC
Red Wire	Positive
Black Wire	Negative
Yellow Wire	Mode
Current Draw	1.65A @ 12V DC 0.86A @ 24V DC

REGULATORY STANDARDS COMPLIANCE



CE Recognized	ECE Reg 10
ECE Reg 65	IEC IP67
IEC IP69K	SAE J845

PHOTOMETRIC SPECIFICATIONS

Beam Pattern(s)	Warning - Rotating Warning Warning - Strobe
Flash Rate 1	Beacon
Flash Rate 2	Single Flash
Flash Rate 3	Double Flash
Flash Rate 4	Quad Flash

PRODUCT WARNINGS

For California residents:

⚠️ **WARNING:** Cancer and reproductive harm - www.P65Warnings.ca.gov.

⚠️ **AVERTISSEMENT:** Cancer et effet nocif sur la reproduction - www.P65Warnings.ca.gov.

Print date: 2025-02-08

© 2025 J.W. Speaker Corporation • Germantown, WI U.S.A.
www.jwspeaker.com • speaker@jwspeaker.com • 262.251.6660

J.W. SPEAKER
Engineered. Lighting. Solutions.

LED Emergency Strobe Lights - Model 407 Slim

ACCESSORIES



Part Number
8200011
Magnet Mount Kit for
XD Series Work Lights



Part Number
8200101
Stainless Steel
Mounting Kit for Work
Lights & Marine Lights