

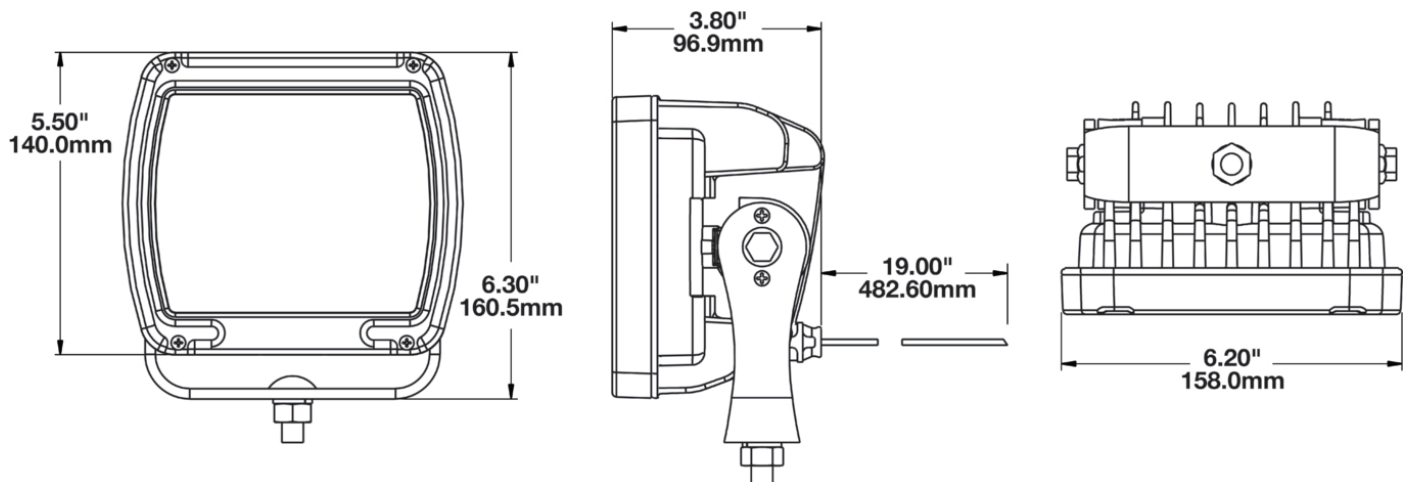
# Model 526 Anti-Glare L Light

## PRODUCT INFORMATION

<b>Description</b>	12V LED Work Light with Black Housing, Polycarbonate Lens & Anti-Glare Pattern
<b>Height</b>	140.00 mm / 5.51 in
<b>Width</b>	158.00 mm / 6.22 in
<b>Depth</b>	98.00 mm / 3.86 in
<b>Shape</b>	Rectangular
<b>Outer Lens Material</b>	Polycarbonate
<b>Outer Lens Color</b>	Clear
<b>Housing Material</b>	Die-Cast Aluminium
<b>Housing Color</b>	Black
<b>Mounting Hardware Description</b>	(x1) M10-1.5 x 25mm Universal Pedestal Mount
<b>Minimum Operating Temperature</b>	-40 °C / -40 °F
<b>Maximum Operating Temperature</b>	65 °C / 149 °F
<b>Connector or Wiring</b>	iCONN Connector - iMATE23
<b>Product Weight</b>	4.60 lbs / 2.09 kgs
<b>Shipping Weight</b>	4.88 lbs / 2.21 kgs



## PRODUCT DIMENSIONS



Print date: 2024-11-10

© 2024 J.W. Speaker Corporation • Germantown, WI U.S.A.  
www.jwspeaker.com • speaker@jwspeaker.com • 262.251.6660

**J.W. SPEAKER**  
Engineered. Lighting. Solutions.

# Model 526 Anti-Glare L Light

## ELECTRICAL SPECIFICATIONS

<b>Input Voltage</b>	9-16V DC
<b>Operating Voltage</b>	121V DC
<b>White Wire Wire</b>	Power
<b>Black Wire Wire</b>	Ground
<b>Current Draw</b>	5.4A @ 12V DC

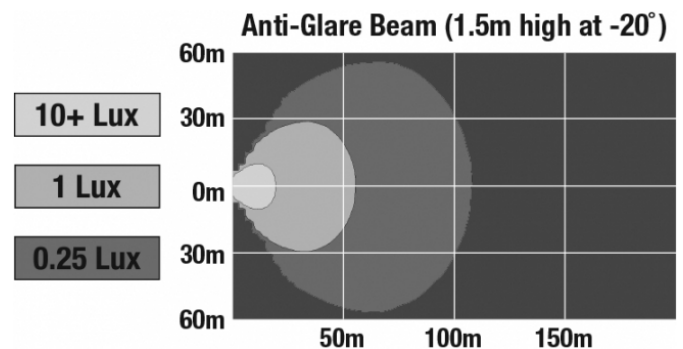
## REGULATORY STANDARDS COMPLIANCE



IEC IP69K

## PHOTOMETRIC SPECIFICATIONS

<b>Raw Lumen Output</b>	8600
<b>Effective Lumen Output</b>	5000
<b>Candela Output</b>	6000
<b>Beam Pattern(s)</b>	Anti-Glare



## PRODUCT WARNINGS

For California residents:

⚠ **WARNING:** Cancer and reproductive harm - [www.P65Warnings.ca.gov](http://www.P65Warnings.ca.gov).

⚠ **AVERTISSEMENT:** Cancer et effet nocif sur la reproduction - [www.P65Warnings.ca.gov](http://www.P65Warnings.ca.gov).

**Print date: 2024-11-10**

© 2024 J.W. Speaker Corporation • Germantown, WI U.S.A.  
[www.jwspeaker.com](http://www.jwspeaker.com) • [speaker@jwspeaker.com](mailto:speaker@jwspeaker.com) • 262.251.6660

**J.W. SPEAKER**  
 Engineered. Lighting. Solutions.