

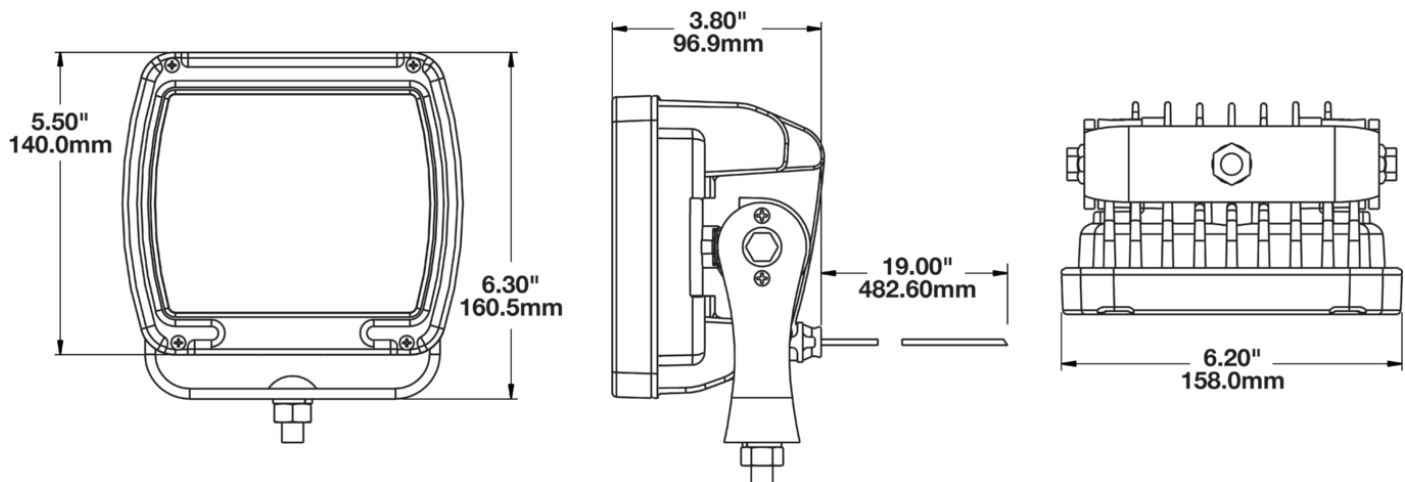
Model 526 Trap L Light

PRODUCT INFORMATION

Description	12V LED Work Light with Black Housing, Polycarbonate Lens & Trapezoid Beam Pattern
Height	140.00 mm / 5.51 in
Width	158.00 mm / 6.22 in
Depth	98.00 mm / 3.86 in
Shape	Rectangular
Outer Lens Material	Polycarbonate
Outer Lens Color	Clear
Housing Material	Die-Cast Aluminum
Housing Color	Black
Mounting Hardware Description	(x1) M10-1.5 x 25mm Universal Pedestal Mount
Minimum Operating Temperature	-40 °C / -40 °F
Maximum Operating Temperature	65 °C / 149 °F
Connector or Wiring	iCONN Connector - iMATE23
Product Weight	4.60 lbs / 2.09 kgs
Shipping Weight	4.88 lbs / 2.21 kgs



PRODUCT DIMENSIONS



Print date: 2024-11-10

© 2024 J.W. Speaker Corporation • Germantown, WI U.S.A.
www.jwspeaker.com • speaker@jwspeaker.com • 262.251.6660

J.W. SPEAKER
 Engineered. Lighting. Solutions.

Model 526 Trap L Light

ELECTRICAL SPECIFICATIONS

Input Voltage	9-16VV DC
Operating Voltage	12VV DC
White Wire Wire	Power
Black Wire Wire	Ground
Current Draw	5.4A @ 12V DC

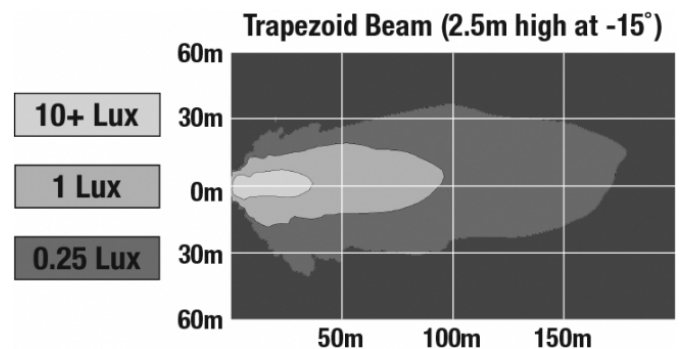
REGULATORY STANDARDS COMPLIANCE



IEC IP69K

PHOTOMETRIC SPECIFICATIONS

Raw Lumen Output	8600
Effective Lumen Output	4300
Candela Output	31000
Beam Pattern(s)	Forward Lighting - Trapezoid



PRODUCT WARNINGS

For California residents:

⚠️ **WARNING:** Cancer and reproductive harm - www.P65Warnings.ca.gov.

⚠️ **AVERTISSEMENT:** Cancer et effet nocif sur la reproduction - www.P65Warnings.ca.gov.

Print date: 2024-11-10

© 2024 J.W. Speaker Corporation • Germantown, WI U.S.A.
www.jwspeaker.com • speaker@jwspeaker.com • 262.251.6660