

Model 526 Dual Wht L Work Light

PRODUCT INFORMATION

Description	12V LED Work Light with Black Housing, Polycarbonate Lens & Dual White Anti-Glare Pattern
Height	140.00 mm / 5.51 in
Width	158.00 mm / 6.22 in
Depth	98.00 mm / 3.86 in
Shape	Rectangular
Outer Lens Material	Polycarbonate
Outer Lens Color	Clear
Housing Material	Die-Cast Aluminum
Housing Color	Black
Mounting Hardware Description	(x1) M10-1.5 x 25 Universal Pedestal Mount
Minimum Operating Temperature	-40 °C / -40 °F
Maximum Operating Temperature	65 °C / 149 °F
Connector or Wiring	iCONN Connector - iMATE23
Product Weight	4.60 lbs / 2.09 kgs
Shipping Weight	4.88 lbs / 2.21 kgs



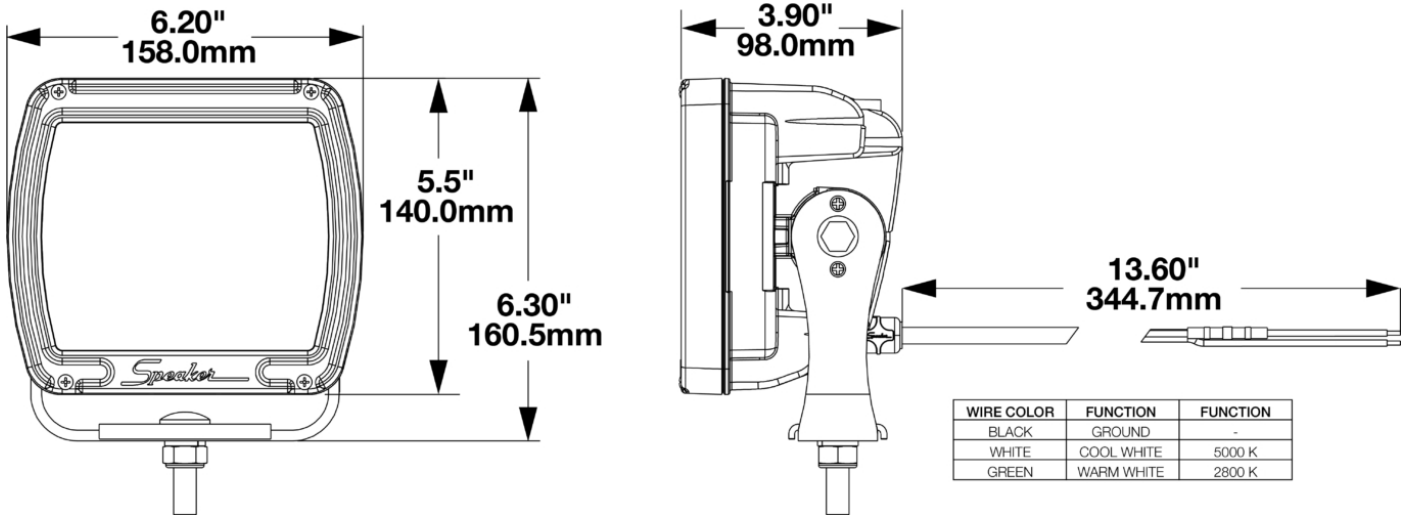
Print date: 2025-01-15

© 2025 J.W. Speaker Corporation • Germantown, WI U.S.A.
 www.jwspeaker.com • speaker@jwspeaker.com • 262.251.6660

J.W. SPEAKER 
 Engineered. Lighting. Solutions.

Model 526 Dual Wht L Work Light

PRODUCT DIMENSIONS



ELECTRICAL SPECIFICATIONS

Input Voltage	9-16V DC
Operating Voltage	12V DC
Black Wire	Ground
White Wire	Cool White
Green Wire	Warm White
Current Draw	5.6A @ 12V DC (Warm White) 5.6A @ 12V DC (Cool White)

REGULATORY STANDARDS COMPLIANCE



IEC IP69K

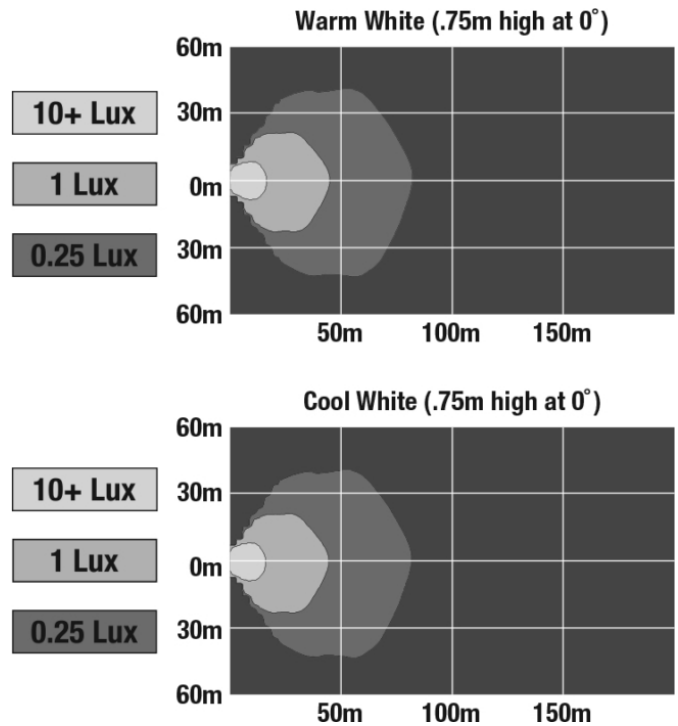
Print date: 2025-01-15

© 2025 J.W. Speaker Corporation • Germantown, WI U.S.A.
www.jwspeaker.com • speaker@jwspeaker.com • 262.251.6660

Model 526 Dual Wht L Work Light

PHOTOMETRIC SPECIFICATIONS

Raw Lumen Output (warm) 8150, (cool) 8600
Effective Lumen Output (warm) 2100, (cool) 2200
Candela Output (warm) 3000, (cool) 3200
Beam Pattern(s) Forward Lighting - Dual Beam



APPLICATIONS



Print date: 2025-01-15

© 2025 J.W. Speaker Corporation • Germantown, WI U.S.A.
 www.jwspeaker.com • speaker@jwspeaker.com • 262.251.6660

Model 526 Dual Wht L Work Light

PRODUCT WARNINGS

For California residents:

⚠ **WARNING:** Cancer and reproductive harm - www.P65Warnings.ca.gov.

⚠ **AVERTISSEMENT:** Cancer et effet nocif sur la reproduction - www.P65Warnings.ca.gov.

RELATED PRODUCTS



Part Number

1300751

12V LED Work Light
with Yellow Housing,
Polycarbonate Lens &
Dual White Anti-Glare
Pattern

Print date: 2025-01-15

© 2025 J.W. Speaker Corporation • Germantown, WI U.S.A.
www.jwspeaker.com • speaker@jwspeaker.com • 262.251.6660

J.W. SPEAKER 
Engineered. Lighting. Solutions.