

# Model 526 Dual Wht L Work Light

## PRODUCT INFORMATION

<b>Description</b>	12V LED Work Light with Yellow Housing, Polycarbonate Lens & Dual White Anti-Glare Pattern
<b>Height</b>	140.00 mm / 5.51 in
<b>Width</b>	158.00 mm / 6.22 in
<b>Depth</b>	98.00 mm / 3.86 in
<b>Shape</b>	Rectangular
<b>Outer Lens Material</b>	Polycarbonate
<b>Outer Lens Color</b>	Clear
<b>Housing Material</b>	Die Cast Aluminum
<b>Housing Color</b>	Yellow
<b>Mounting Hardware Description</b>	(x1) M10-1.5 x 25 Universal Pedestal Mount
<b>Minimum Operating Temperature</b>	-40 °C / -40 °F
<b>Maximum Operating Temperature</b>	65 °C / 149 °F
<b>Connector or Wiring</b>	iCONN Connector - iMATE23
<b>Product Weight</b>	4.60 lbs / 2.09 kgs
<b>Shipping Weight</b>	4.88 lbs / 2.21 kgs



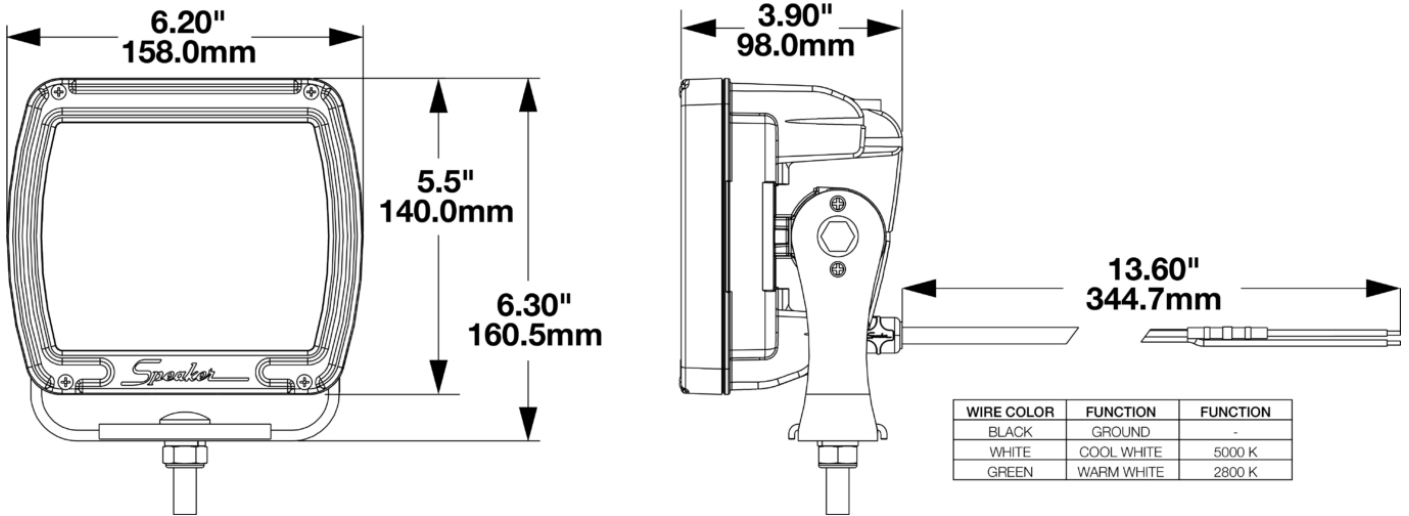
**Print date: 2024-12-12**

© 2024 J.W. Speaker Corporation • Germantown, WI U.S.A.  
 www.jwspeaker.com • speaker@jwspeaker.com • 262.251.6660

**J.W. SPEAKER**   
 Engineered. Lighting. Solutions.

# Model 526 Dual Wht L Work Light

## PRODUCT DIMENSIONS



## ELECTRICAL SPECIFICATIONS

<b>Input Voltage</b>	9-16V DC
<b>Operating Voltage</b>	12V DC
<b>Black Wire</b>	Ground
<b>White Wire</b>	Cool White
<b>Green Wire</b>	Warm White
<b>Current Draw</b>	5.6A @ 12V DC (Warm White) 5.6A @ 12V DC (Cool White)

## REGULATORY STANDARDS COMPLIANCE



IEC IP69K

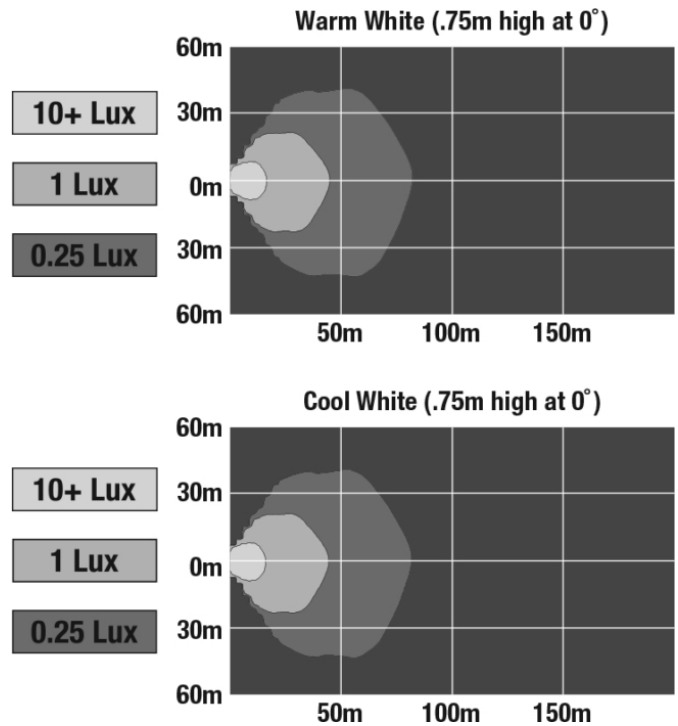
Print date: 2024-12-12

© 2024 J.W. Speaker Corporation • Germantown, WI U.S.A.  
www.jwspeaker.com • speaker@jwspeaker.com • 262.251.6660

# Model 526 Dual Wht L Work Light

## PHOTOMETRIC SPECIFICATIONS

<b>Raw Lumen Output</b>	(warm) 8150, (cool) 8600
<b>Effective Lumen Output</b>	(warm) 2100, (cool) 2200
<b>Candela Output</b>	(warm) 3000, (cool) 3200
<b>Beam Pattern(s)</b>	Forward Lighting - Dual Beam



## APPLICATIONS



Print date: 2024-12-12

© 2024 J.W. Speaker Corporation • Germantown, WI U.S.A.  
 www.jwspeaker.com • speaker@jwspeaker.com • 262.251.6660

# Model 526 Dual Wht L Work Light

## PRODUCT WARNINGS

---

For California residents:

⚠ **WARNING:** Cancer and reproductive harm - [www.P65Warnings.ca.gov](http://www.P65Warnings.ca.gov).

⚠ **AVERTISSEMENT:** Cancer et effet nocif sur la reproduction - [www.P65Warnings.ca.gov](http://www.P65Warnings.ca.gov).

---

**Print date: 2024-12-12**

© 2024 J.W. Speaker Corporation • Germantown, WI U.S.A.  
www.jwspeaker.com • speaker@jwspeaker.com • 262.251.6660

**J.W. SPEAKER**   
*Engineered. Lighting. Solutions.*