

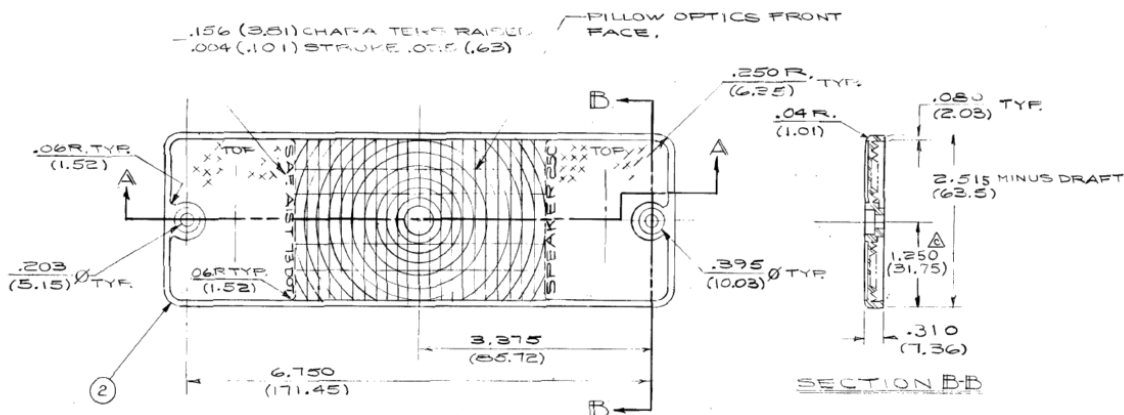
# Amber Acrylic Lens for Model 250

## PRODUCT INFORMATION

<b>Description</b>	Amber Acrylic Lens for Model 250
<b>Height</b>	63.50 mm / 2.5 in
<b>Width</b>	187.45 mm / 7.38 in
<b>Depth</b>	7.36 mm / 0.29 in
<b>Outer Lens Material</b>	Acrylic
<b>Outer Lens Color</b>	Amber
<b>Product Weight</b>	0.11 lbs / 0.05 kgs



## PRODUCT DIMENSIONS



Print date: 2022-08-13

© 2022 J.W. Speaker Corporation • Germantown, WI U.S.A.  
 www.jwspeaker.com • speaker@jwspeaker.com • 262.251.6660

**J.W. SPEAKER**   
 Engineered. Lighting. Solutions.

# Amber Acrylic Lens for Model 250

## REGULATORY STANDARDS COMPLIANCE

---



SAE J594

## PRODUCT WARNINGS

---

For California residents:

⚠ **WARNING:** Cancer and reproductive harm - [www.P65Warnings.ca.gov](http://www.P65Warnings.ca.gov).

⚠ **AVERTISSEMENT:** Cancer et effet nocif sur la reproduction - [www.P65Warnings.ca.gov](http://www.P65Warnings.ca.gov).

---

**Print date: 2022-08-13**

© 2022 J.W. Speaker Corporation • Germantown, WI U.S.A.  
www.jwspeaker.com • speaker@jwspeaker.com • 262.251.6660