

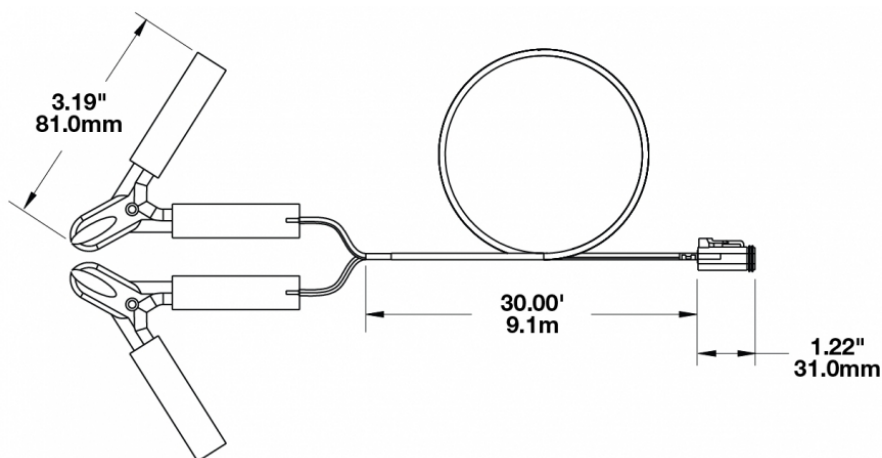
# 30' Power Cord with Battery Clips for Model 4416

## PRODUCT INFORMATION

|                               |  |
|-------------------------------|--|
| <b>Description</b>            | 30' Power Cord with Battery Clips for Model 4416                     |
| <b>Width</b>                  | 9144.00 mm / 360 in  |
| <b>Connector or Wiring</b>    | Alligator Battery Clip / DEUTSCH DT06-2S                             |
| <b>Shipping Weight</b>        | 0.90 lbs / 0.41 kgs  |
| <b>Additional Information</b> | Accessory Includes:<br>(1) 30' vehicle power cord with battery clips |



## PRODUCT DIMENSIONS



Print date: 2022-06-30

© 2022 J.W. Speaker Corporation • Germantown, WI U.S.A.  
www.jwspeaker.com • speaker@jwspeaker.com • 262.251.6660

**J.W. SPEAKER**  
Engineered. Lighting. Solutions.

# 30' Power Cord with Battery Clips for Model 4416

## REGULATORY STANDARDS COMPLIANCE

---



Buy America Standards



Eco Friendly

## PRODUCT WARNINGS

---

For California residents:

⚠ **WARNING:** Cancer and reproductive harm - [www.P65Warnings.ca.gov](http://www.P65Warnings.ca.gov).

⚠ **AVERTISSEMENT:** Cancer et effet nocif sur la reproduction - [www.P65Warnings.ca.gov](http://www.P65Warnings.ca.gov).

## SUITS THESE PRODUCTS

---



**3.5" Round Portable  
LED Hand Held Work  
Light - Black and  
Camouflage**

LED Handheld Work  
Light - Model 4416

---

Print date: 2022-06-30

© 2022 J.W. Speaker Corporation • Germantown, WI U.S.A.  
[www.jwspeaker.com](http://www.jwspeaker.com) • [speaker@jwspeaker.com](mailto:speaker@jwspeaker.com) • 262.251.6660