

# Model - Custom

## PRODUCT INFORMATION

<b>Description</b>	24V 60mm Red Rear Blackout Tail Light - Bulk Qty (18 MIN)
<b>Height</b>	39.88 mm / 1.57 in
<b>Width</b>	59.94 mm / 2.36 in
<b>Depth</b>	45.72 mm / 1.8 in
<b>Shape</b>	Round
<b>Outer Lens Material</b>	Polycarbonate
<b>Outer Lens Color</b>	Clear
<b>Housing Material</b>	Nylon
<b>Housing Color</b>	Black
<b>Mounting Hardware Description</b>	(x2) #6-Screw
<b>Mounting Type</b>	Flange Mount
<b>Minimum Operating Temperature</b>	-40 °C / -40 °F
<b>Maximum Operating Temperature</b>	85 °C / 185 °F
<b>Connector or Wiring</b>	Deutsch DT04-4P
<b>Mating Connector</b>	Deutsch DT06-4S
<b>Product Weight</b>	0.09 lbs / 0.04 kgs
<b>Additional Information</b>	Light color is Red. Meets MIL-PRF-32212A Section 3.8.5.



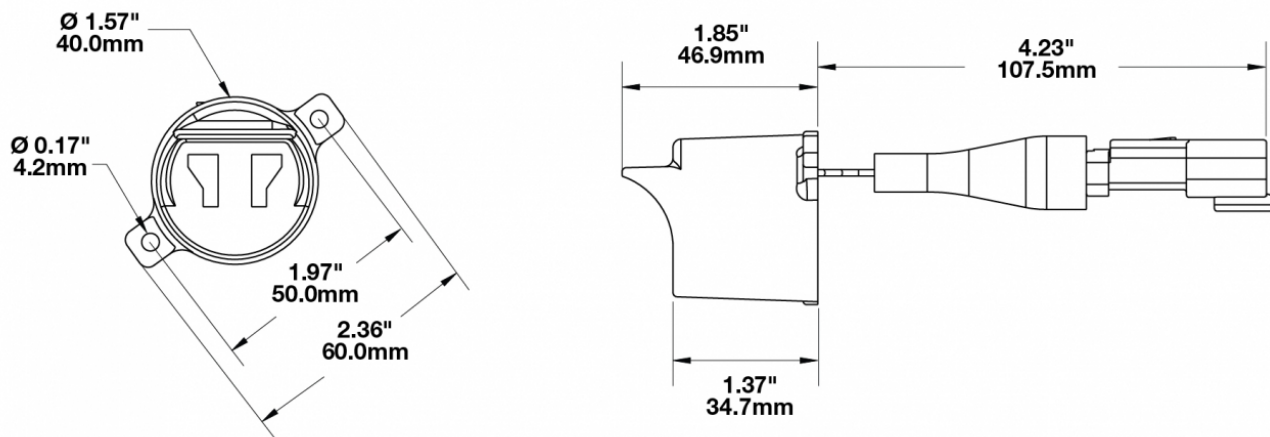
Print date: 2020-11-24

© 2020 J.W. Speaker Corporation • Germantown, WI U.S.A.  
 www.jwspeaker.com • speaker@jwspeaker.com • 262.251.6660

**J.W. SPEAKER**   
 Engineered. Lighting. Solutions.

# Model - Custom

## PRODUCT DIMENSIONS



## ELECTRICAL SPECIFICATIONS

<b>Input Voltage</b>	24V DC
<b>Operating Voltage</b>	18-32V DC
<b>Black Wire</b>	Ground
<b>Red Wire</b>	Positive
<b>Current Draw</b>	0.025A @ 24V DC

## REGULATORY STANDARDS COMPLIANCE



Buy America Standards  
IEC IP67

Eco Friendly

Print date: 2020-11-24

© 2020 J.W. Speaker Corporation • Germantown, WI U.S.A.  
www.jwspeaker.com • speaker@jwspeaker.com • 262.251.6660

# Model - Custom

## PHOTOMETRIC SPECIFICATIONS

---

**Beam Pattern(s)** Signalization - Tail

## APPLICATIONS

---



## PRODUCT WARNINGS

---

For California residents:

**⚠ WARNING:** Cancer and reproductive harm - [www.P65Warnings.ca.gov](http://www.P65Warnings.ca.gov).

**⚠ AVERTISSEMENT:** Cancer et effet nocif sur la reproduction - [www.P65Warnings.ca.gov](http://www.P65Warnings.ca.gov).

## RELATED PRODUCTS

---



**Part Number**  
**0347502**

24V 60mm Amber  
Front Blackout Marker  
Light - Bulk Qty (18  
MIN)



**Part Number**  
**0347522**

24V 60mm Amber  
Rear Blackout Stop  
Light - Bulk Qty (18  
MIN)



**Part Number**  
**0550312**

24V 60mm Cyan LH  
Blackout Driving Light -  
Bulk Qty (18 MIN)



**Part Number**  
**0550732**

24V 60mm Cyan RH  
Blackout Driving Light -  
Bulk Qty (18 MIN)

**Print date: 2020-11-24**

© 2020 J.W. Speaker Corporation • Germantown, WI U.S.A.  
www.jwspeaker.com • speaker@jwspeaker.com • 262.251.6660

**J.W. SPEAKER®**  
Engineered. Lighting. Solutions.