

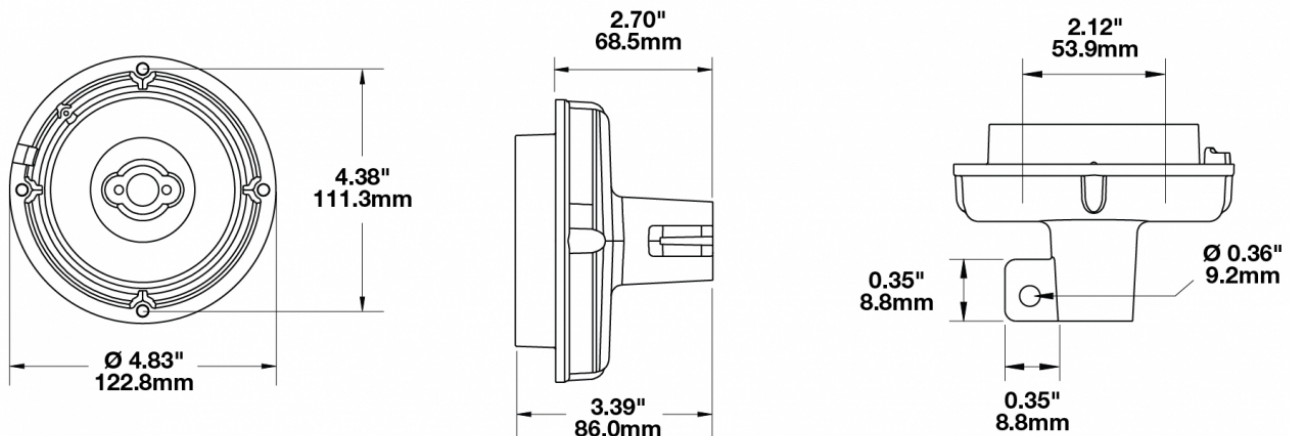
# DIN Pole Mount for 406 & 407 LED Strobe Lights

## PRODUCT INFORMATION

<b>Description</b>	DIN Pole Mount for 406 & 407 LED Strobe Lights
<b>Height</b>	86.15 mm / 3.39 in
<b>Width</b>	122.75 mm / 4.83 in
<b>Depth</b>	122.75 mm / 4.83 in
<b>Shape</b>	Round
<b>Housing Material</b>	Nylon
<b>Housing Color</b>	Black
<b>Mounting Type</b>	Pole
<b>Minimum Operating Temperature</b>	-40 °C / -40 °F
<b>Maximum Operating Temperature</b>	60 °C / 140 °F
<b>Connector or Wiring</b>	ISO 4165 plug
<b>Mating Connector</b>	ISO 4165 socket
<b>Product Weight</b>	0.50 lbs / 0.23 kgs
<b>Shipping Weight</b>	0.73 lbs / 0.33 kgs



## PRODUCT DIMENSIONS



Print date: 2018-02-18

© 2018 J.W. Speaker Corporation • Germantown, WI U.S.A.  
 www.jwspeaker.com • speaker@jwspeaker.com • 262.251.6660

**J.W. SPEAKER**  
 Engineered. Lighting. Solutions.

# DIN Pole Mount for 406 & 407 LED Strobe Lights

## REGULATORY STANDARDS COMPLIANCE

---



Buy America Standards

Eco Friendly

## APPLICATIONS

---



## ADDITIONAL INFORMATION

---

This DIN Pole Mount allows the use of the Model 406 & 407 strobe light to be mounted to a pole with an ISO 4165 socket.

DIN Pole Mount accessory Includes: (4) screw mounts to secure directly to strobe light housing.

## SUITS THESE PRODUCTS

---



**5" Round Low Profile LED Lights - Class II**      **5" Round Low Profile LED Lights - Class I**

LED Strobe Lights -  
Model 406

LED Strobe Lights -  
Model 407

---

Print date: 2018-02-18

© 2018 J.W. Speaker Corporation • Germantown, WI U.S.A.  
www.jwspeaker.com • speaker@jwspeaker.com • 262.251.6660