

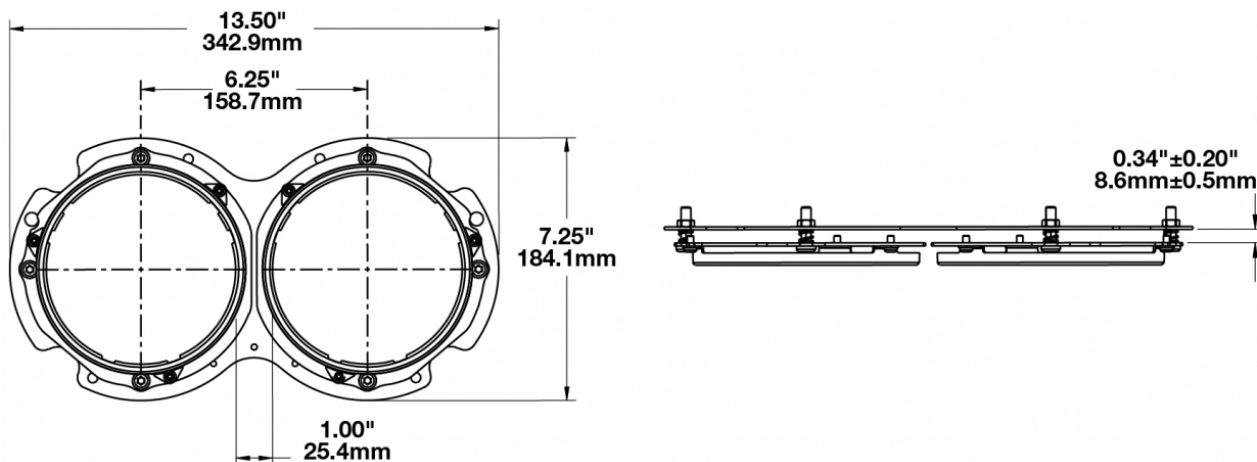
Double Ring Kit Mounting Assembly for LED Headlight Model 8630

PRODUCT INFORMATION

Description	Double Ring Kit Mounting Assembly for LED Headlight Model 8630
Height	342.90 mm / 13.5 in
Width	184.15 mm / 7.25 in
Product Weight	1.45 lbs / 0.66 kgs
Shipping Weight	2.06 lbs / 0.93 kgs



PRODUCT DIMENSIONS



Print date: 2026-04-04

© 2026 J.W. Speaker Corporation • Germantown, WI U.S.A.
www.jwspeaker.com • speaker@jwspeaker.com • 262.251.6660

Double Ring Kit Mounting Assembly for LED Headlight Model 8630

REGULATORY STANDARDS COMPLIANCE



Buy America Standards

APPLICATIONS



PRODUCT WARNINGS

For California residents:

⚠ WARNING: Cancer and reproductive harm - www.P65Warnings.ca.gov.

⚠ AVERTISSEMENT: Cancer et effet nocif sur la reproduction - www.P65Warnings.ca.gov.

Print date: 2026-04-04

© 2026 J.W. Speaker Corporation • Germantown, WI U.S.A.
www.jwspeaker.com • speaker@jwspeaker.com • 262.251.6660