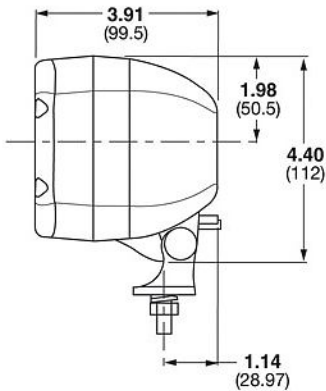
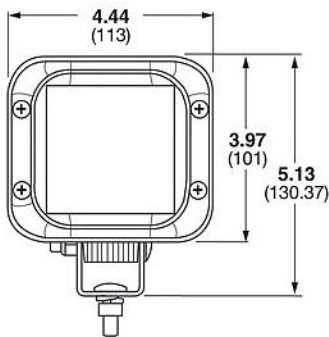




Model 833 Halogen Work Light (3/4 Front View)



Dimensions in inches (mm in parentheses).
Dimensions are for reference only.

Product List

Model Number	Description
833-12V	12V Halogen Work Light (H3-12V Bulb)
833-24V	24V Halogen Work Light (H3-24V Bulb)

Features & Benefits

- Available in 12V DC or 24V DC configurations
- Flood beam pattern
- Durable glass lens stands up to harsh environmental conditions
- This high quality halogen light will fit any budget!
- Impact-resistant nylon housing
- Universal mount

General Specifications

Lens Pattern :	Flood
Lens Material :	Glass
Warranty:	1-Year Limited Warranty
Housing Material :	Impact-Resistant Nylon
Mounting Hardware:	(x1) 5/16-18 x 1.00 Mounting Bolt
Mounting :	Universal Mount
Connector:	Integrated 2-Pin Deutsch Weather-Proof Socket (DT04-2P)
Mating Connector:	2-Pin Deutsch Weather-Proof Plug (DT06-2S)

Technical Specifications

12V DC Version	24V DC Version
12V DC Input	24V DC Input
4.58 Amps @ 12V DC	2.92 Amps @ 24V DC
Raw Lumen Output: 1,250	Raw Lumen Output: 1,650
Effective Lumen Output: 700	Effective Lumen Output: 950
Bulb Replacement: H3-12V Halogen Bulb	Bulb Replacement: H3-24V Halogen Bulb

Standards Compliance

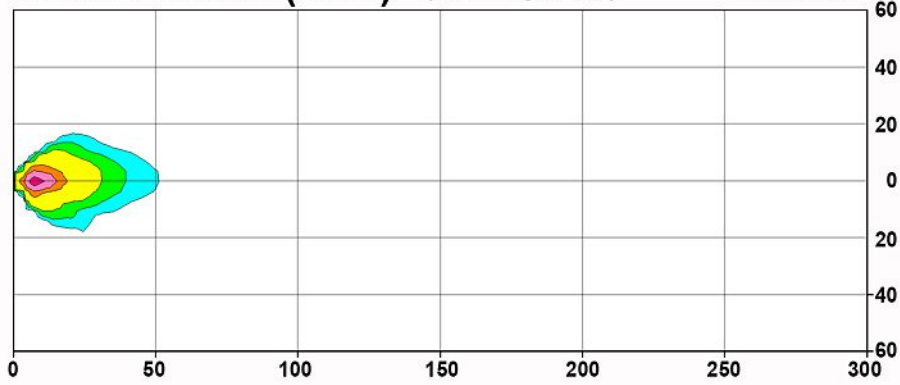
UL Recognized

Applications

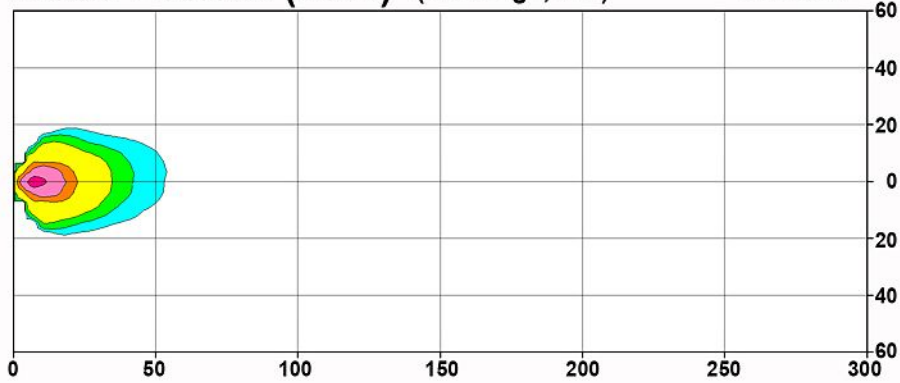
Agricultural	Construction	Fire & Rescue
Forestry	Industrial	Lawn & Garden
Material Handling	Military	Mining
Off-Highway	Recreational	Specialty Trucks
Utility		

Model 833

Flood Pattern (55W) (2.5m high, -15°) **37.9 Max.**



Flood Pattern (70W) (2.5m high, -15°) **41.1 Max.**



0.25 0.50 1.0 5.0 10 25 50 Lux