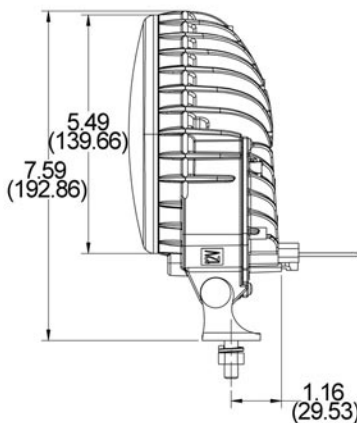
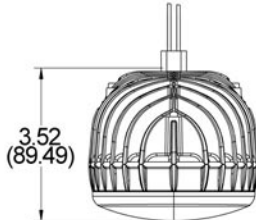
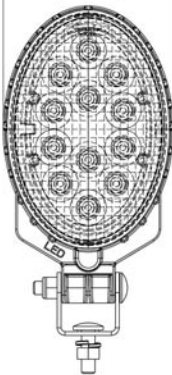




3.92
(99.68)



Dimensions in inches (mm in parentheses).
Dimensions are for reference only.

Product List

Model Number	Description
736-12V	12V LED Vertical Oval Work Light
736-24V	24V LED Vertical Oval Work Light

Features & Benefits

- 2,700 Raw Lumens; 1,400 Effective Lumens
- Available in 12V DC or 24V DC configurations
- Flood, Trapezoid & Vertical Flood beam patterns available
- Durable glass lens stands up to harsh environment
- Rugged solid state LEDs can withstand shock & vibration
- Long-lasting LEDs mean never having to replace another bulb again!
- Die-cast aluminum housing provides maximum protection
- Universal mount
- Left hand & right hand versions available for side mounting

General Specifications

Lens Pattern :	Flood, Trapezoid, or Vertical Flood
Lens Material :	Glass
Warranty:	4-year Limited Warranty
Housing Material :	Die-Cast Aluminum
Mounting Hardware:	(x1) 5/16-18 x 0.58 Mounting Bolt
Mounting :	Universal Mount
Connector:	Various options available
Mating Connector:	Various options available

Technical Specifications

12V Version	24V Version
12V DC Input	24V DC Input
3.700 Amps @ 12V DC	1.700 Amps @ 24V DC
Raw Lumen Output: 2,700	Raw Lumen Output: 2,700
Effective Lumen Output: 1,400	Effective Lumen Output: 1,400

Standards Compliance

SAE J575	SAE J1113
SAE J1455	ECE Reg. 10 ((Dual Beam Version Only))
Sealed to IP67	

Applications

Agricultural	Construction	Fire & Rescue
Forestry	Industrial	Lawn & Garden
Military	Mining	Off-Highway
Recreational	Specialty Trucks	Utility

Model 736

