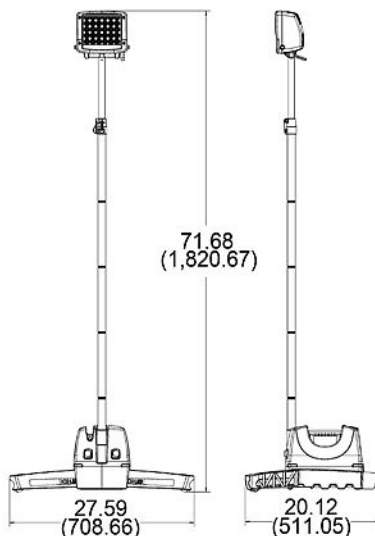
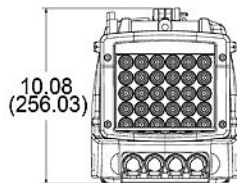
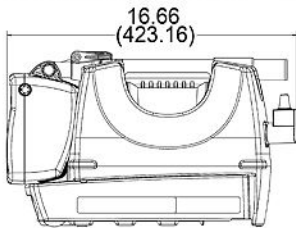
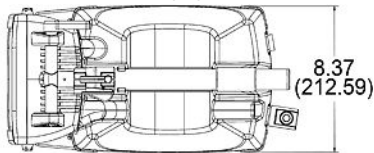




Model 60 LED Portable Scene Light partially extended and shown with remote control, variable extension mast segments and recharging cord



Dimensions in inches (mm in parentheses).  
Dimensions are for reference only.

### Product List

Model Number	Description
60-12V	12V LED Portable Scene Light System

### Features & Benefits

- 3,600 Raw Lumens; 1,700 Effective Lumens
- Acrylic lens resists scratching & scuffing
- Fully focusable 3-stage optics go from full flood to full spot beam
- Waterproof membrane panel for head controls:
  - Battery Status, Brightness, Mode Selection, On/Off
- Integrated fiberglass variable section mast extends to a height of 6ft (1.8m)
  - Quick Loc connection allows for fast setup & take down
- Integrated tripod stabilizer legs provide a sturdy base for mast when it is fully extended
- Internal steel chassis provides superior strength, rigidity, and impact tolerance
- Integrated vehicle charging system
  - Monitors vehicle on status to prevent discharging of vehicle battery
  - Works with both 12V or 24V vehicles
  - Monitors ambient temperature to optimize charging for maximum battery performance
- Positive locking head unit using unique ratcheting system
- Recessed power switch prevents accidental activation when unit fully collapsed

### General Specifications

<b>Lens Material :</b>	Acrylic
<b>Warranty:</b>	2-year Limited Warranty
<b>Weight:</b>	26lbs (11.8kg)

### Technical Specifications

<b>60-12V</b>
12V DC Input
2.500 Amps @ 12V DC
Raw Lumen Output: 3,600
Effective Lumen Output: 1,700

### Standards Compliance

CE Recognized	Sealed to IP54
---------------	----------------

### Applications

Agricultural	Construction	Fire & Rescue
Industrial	Law Enforcement	Marine
Mining	Railway	Recreational

### Additional Info

Battery Life: 8 hours @ 100% power, 16 hours @ 50% power, 33 hours @ 25% power, 240+ hours @ 8% power (sign mode)

Recharging Time: 4 hours from full discharge using built-in vehicle charger, 6 hours using optional AC charger

Available Options:

- Remote control - Allows operation of one or more units. Signal is relayed from one unit to the next to cover long distances.

Optional Accessories:

- 120/240V AC charger
- AMF power failure device that automatically turns lamp on during a power failure

# Model 60

