

Replacement Lens for Model 400 & 401

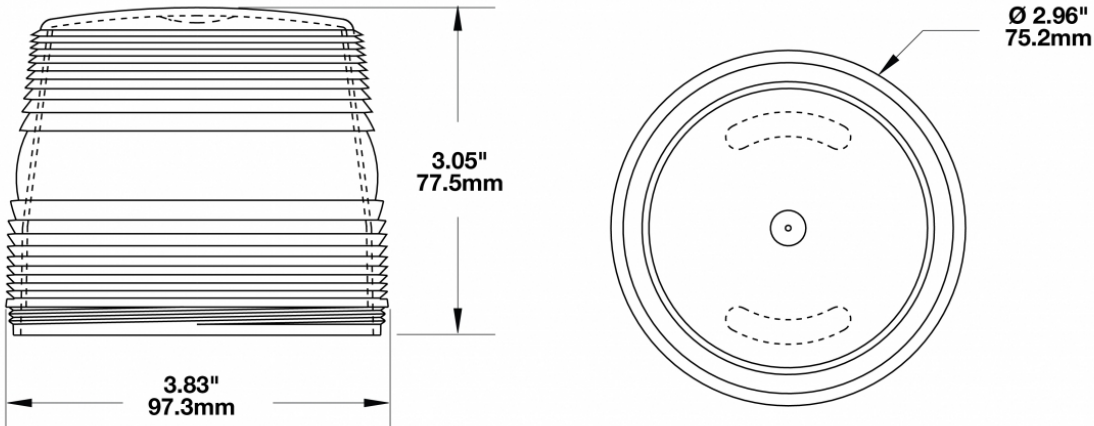
Strobe Lights

PRODUCT INFORMATION

Description	Replacement Lens for Model 400 & 401 Strobe Lights
Height	113.79 mm / 4.48 in
Width	122.17 mm / 4.81 in
Depth	122.17 mm / 4.81 in
Shape	Round
Outer Lens Material	Polycarbonate
Outer Lens Color	Amber
Product Weight	0.22 lbs / 0.1 kgs



PRODUCT DIMENSIONS



Print date: 2018-05-20

© 2018 J.W. Speaker Corporation • Germantown, WI U.S.A.
www.jwspeaker.com • speaker@jwspeaker.com • 262.251.6660



Replacement Lens for Model 400 & 401

Strobe Lights

REGULATORY STANDARDS COMPLIANCE



Buy America Standards

SUITS THESE PRODUCTS



**5" Round Strobe
Lamp Replacement
Parts**

Strobe Lights - Model
400

Print date: 2018-05-20

© 2018 J.W. Speaker Corporation • Germantown, WI U.S.A.
www.jwspeaker.com • speaker@jwspeaker.com • 262.251.6660