

# Reflector LED Fog Lights - Model 6025

## PRODUCT INFORMATION

<b>Description</b>	12V SAE/ECE RHT & LHT Reflector Fog Light
<b>Height</b>	114.00 mm / 4.49 in
<b>Width</b>	114.00 mm / 4.49 in
<b>Depth</b>	74.00 mm / 2.91 in
<b>Shape</b>	Round
<b>Outer Lens Material</b>	Polycarbonate
<b>Outer Lens Color</b>	Clear
<b>Housing Material</b>	Polycarbonate
<b>Housing Color</b>	Black
<b>Retrofits</b>	Bucket 4.5" Round Fog Lights (PAR36)
<b>Minimum Operating Temperature</b>	-40 °C / -40 °F
<b>Maximum Operating Temperature</b>	65 °C / 149 °F
<b>Connector or Wiring</b>	Packard 12059450-B
<b>Mating Connector</b>	Packard #12124817
<b>Product Weight</b>	0.50 lbs / 0.23 kgs
<b>Shipping Weight</b>	0.64 lbs / 0.29 kgs
<b>Additional Information</b>	2 bare leads for direct wiring.



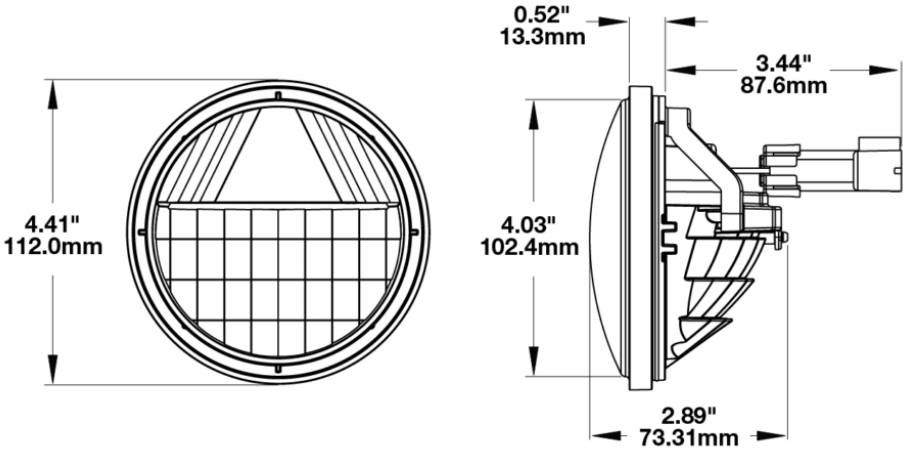
Print date: 2018-04-21

© 2018 J.W. Speaker Corporation • Germantown, WI U.S.A.  
 www.jwspeaker.com • speaker@jwspeaker.com • 262.251.6660

**J.W. SPEAKER**   
 Engineered. Lighting. Solutions.

# Reflector LED Fog Lights - Model 6025

## PRODUCT DIMENSIONS



## ELECTRICAL SPECIFICATIONS

<b>Input Voltage</b>	12V DC
<b>Operating Voltage</b>	9-16V DC
<b>Red Wire</b>	Positive
<b>Black Wire</b>	Negative
<b>Current Draw</b>	.83A @ 10V DC 0.7A @ 12V DC

## REGULATORY STANDARDS COMPLIANCE



Buy America Standards	ECE Reg 19
Eco Friendly	IEC IP67
SAE J583	Tested to ECE Reg. 10 (Radiated Emissions only)

Print date: 2018-04-21

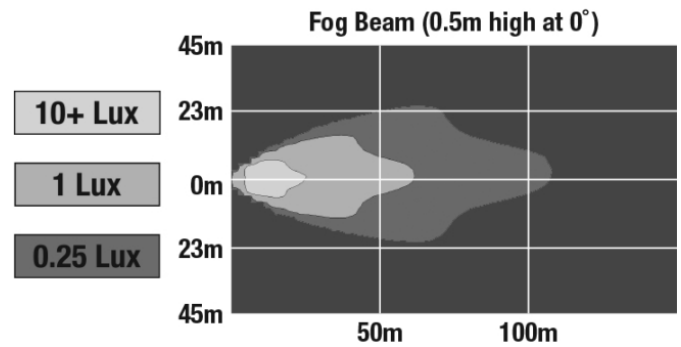
© 2018 J.W. Speaker Corporation • Germantown, WI U.S.A.  
www.jwspeaker.com • speaker@jwspeaker.com • 262.251.6660



# Reflector LED Fog Lights - Model 6025

## PHOTOMETRIC SPECIFICATIONS

<b>Raw Lumen Output</b>	346
<b>Effective Lumen Output</b>	291
<b>Candela Output</b>	12,300
<b>Nominal LED Color Temperature</b>	5000 K
<b>Beam Pattern(s)</b>	Forward Lighting - Fog



## APPLICATIONS



## RELATED PRODUCTS



### **Part Number**

**0553023**

12V SAE/ECE RHT &  
LHT Reflector Fog Light  
- 2 Light Kit

**Print date: 2018-04-21**

© 2018 J.W. Speaker Corporation • Germantown, WI U.S.A.  
www.jwspeaker.com • speaker@jwspeaker.com • 262.251.6660