

# LED Headlights - Model 8700 Evolution J

## PRODUCT INFORMATION

<b>Description</b>	12V ECE LED RHT High & Low Beam Headlight with FP, DRL, & Chrome Bezel - 1 Light
<b>Height</b>	176.53 mm / 6.95 in
<b>Width</b>	176.53 mm / 6.95 in
<b>Depth</b>	99.82 mm / 3.93 in
<b>Shape</b>	Round
<b>Outer Lens Material</b>	Polycarbonate
<b>Outer Lens Color</b>	Clear
<b>Housing Material</b>	Die-Cast Aluminum
<b>Housing Color</b>	Black
<b>Bezel Color</b>	Chrome
<b>Retrofits</b>	2D1 "PAR56" or 7" round headlights
<b>Minimum Operating Temperature</b>	-40 °C / -40 °F
<b>Maximum Operating Temperature</b>	65 °C / 149 °F
<b>Connector or Wiring</b>	H4
<b>Mating Connector</b>	H4 AMP#172615-2
<b>Product Weight</b>	2.31 lbs / 1.05 kgs



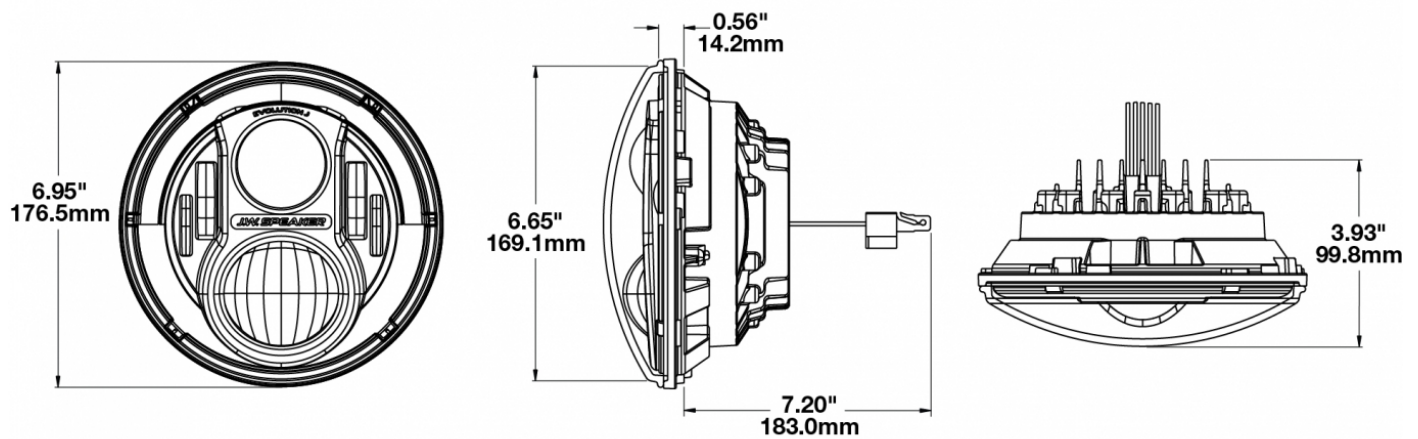
Print date: 2017-06-26

© 2017 J.W. Speaker Corporation • Germantown, WI U.S.A.  
 www.jwspeaker.com • speaker@jwspeaker.com • 262.251.6660

**J.W. SPEAKER**   
 Engineered. Lighting. Solutions.

# LED Headlights - Model 8700 Evolution J

## PRODUCT DIMENSIONS



## ELECTRICAL SPECIFICATIONS

<b>Input Voltage</b>	12V DC
<b>Operating Voltage</b>	9-16V DC
<b>Transient Spike Protection</b>	150V Peak @ 1 HZ-100 Pulses
<b>Black Wire</b>	Ground
<b>White Wire</b>	High Beam
<b>Yellow Wire</b>	Low Beam
<b>Red Wire</b>	Front Position
<b>Blue Wire</b>	DRL
<b>Current Draw</b>	3.00A @ 12V DC (High Beam) 2.00A @ 12V DC (Low Beam) 1.60A @ 12V DC (DRL) 0.16A @ 12V DC (Front Position)

Print date: 2017-06-26

© 2017 J.W. Speaker Corporation • Germantown, WI U.S.A.  
www.jwspeaker.com • speaker@jwspeaker.com • 262.251.6660

# LED Headlights - Model 8700 Evolution J

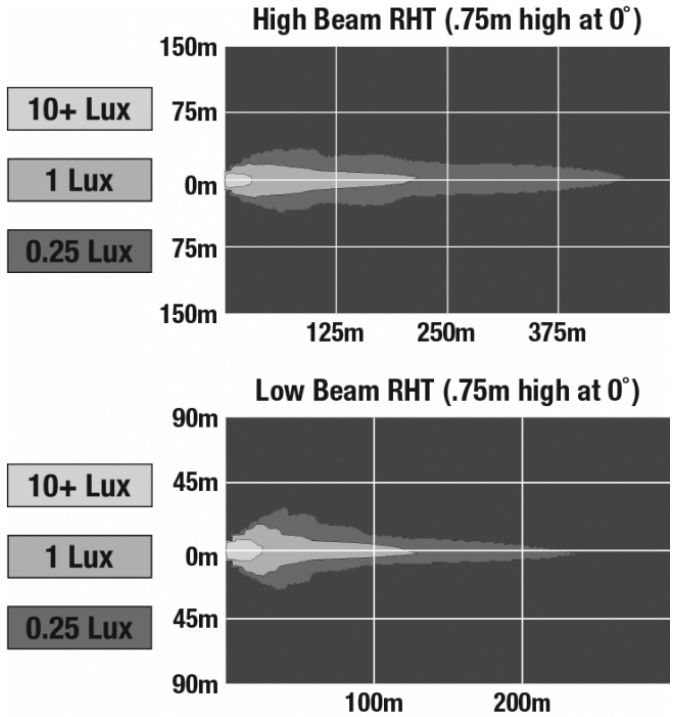
## REGULATORY STANDARDS COMPLIANCE



Buy America Standards	ECE Reg 112
ECE Reg 7	ECE Reg 87
Eco Friendly	IEC IP67

## PHOTOMETRIC SPECIFICATIONS

<b>Raw Lumen Output</b>	2,610 (High Beam); 1,770 (Low Beam)
<b>Effective Lumen Output</b>	1,150 (High Beam); 750 (Low Beam)
<b>Candela Output</b>	60,897 (High Beam) 35,003 (Low Beam)
<b>Nominal LED Color Temperature</b>	5000 K
<b>Beam Pattern(s)</b>	Forward Lighting - Daytime Running Light Forward Lighting - High Beam (DOT/ECE) Forward Lighting - Low Beam (ECE Right Hand) Signalization - Front Position



Print date: 2017-06-26

© 2017 J.W. Speaker Corporation • Germantown, WI U.S.A.  
www.jwspeaker.com • speaker@jwspeaker.com • 262.251.6660



# LED Headlights - Model 8700 Evolution J

## APPLICATIONS

---



## ADDITIONAL INFORMATION

---

Headlight must be securely mounted and properly aimed such that the beam pattern cut off line complies with all applicable regulations. If you are not familiar with the legal requirements for aiming your headlights, please see a professional service provider. We recommend that headlights are aimed with a headlight aiming system for proper alignment.

### **Designed specifically for Jeeps**

Designed with integrated anti-flicker technology that eliminates flickering caused by the Jeep electrical system. Intended for use on 2007+ Jeep Wranglers & Jeep Wrangler Unlimited.

## ECE-COMPLIANCE

---

**This light is ECE-compliant and is not for use on-road in the U.S.**

To be ECE-compliant guarantees your lights are compliant in the European Union and in non-European countries that have adopted ECE Regulations for visibility, durability, and reliability.

---

**Print date: 2017-06-26**

© 2017 J.W. Speaker Corporation • Germantown, WI U.S.A.  
www.jwspeaker.com • speaker@jwspeaker.com • 262.251.6660

**J.W. SPEAKER**   
*Engineered. Lighting. Solutions.*

# LED Headlights - Model 8700 Evolution J

## RELATED PRODUCTS

---



**Part Number**  
**0550771**

12V DOT LED High & Low Beam Headlight with Black Bezel - 1 Light



**Part Number**  
**0550781**

12V DOT LED High & Low Beam Headlight with Chrome Bezel - 1 Light



**Part Number**  
**0550791**

12V ECE LED RHT High & Low Beam Headlight with FP, DRL, & Black Bezel - 1 Light



**Part Number**  
**0550811**

12V ECE LED LHT High & Low Beam Headlight with FP, DRL, & Black Bezel - 1 Light



**Part Number**  
**0550821**

12V ECE LED LHT High & Low Beam Headlight with FP, DRL, & Chrome Bezel - 1 Light



**Part Number**  
**0551131**

12V DOT LED High & Low Beam Headlight with Black Bezel - 2 Light Kit



**Part Number**  
**0551141**

12V DOT LED High & Low Beam Headlight with Chrome Bezel - 2 Light Kit



**Part Number**  
**0551151**

12V ECE LED RHT High & Low Beam Headlight with FP, DRL, & Black Bezel - 2 Light Kit