

LED Headlights - Model 8700 Evolution J

PRODUCT INFORMATION

Description	12V ECE LED RHT High & Low Beam Headlight with FP, DRL, & Black Bezel - 1 Light
Height	176.53 mm / 6.95 in
Width	176.53 mm / 6.95 in
Depth	99.82 mm / 3.93 in
Shape	Round
Outer Lens Material	Polycarbonate
Outer Lens Color	Clear
Housing Material	Die-Cast Aluminum
Housing Color	Black
Bezel Color	Black
Retrofits	2D1 "PAR56" or 7" round headlights
Minimum Operating Temperature	-40 °C / -40 °F
Maximum Operating Temperature	65 °C / 149 °F
Connector or Wiring	H4
Mating Connector	H4 AMP#172615-2
Product Weight	2.31 lbs / 1.05 kgs



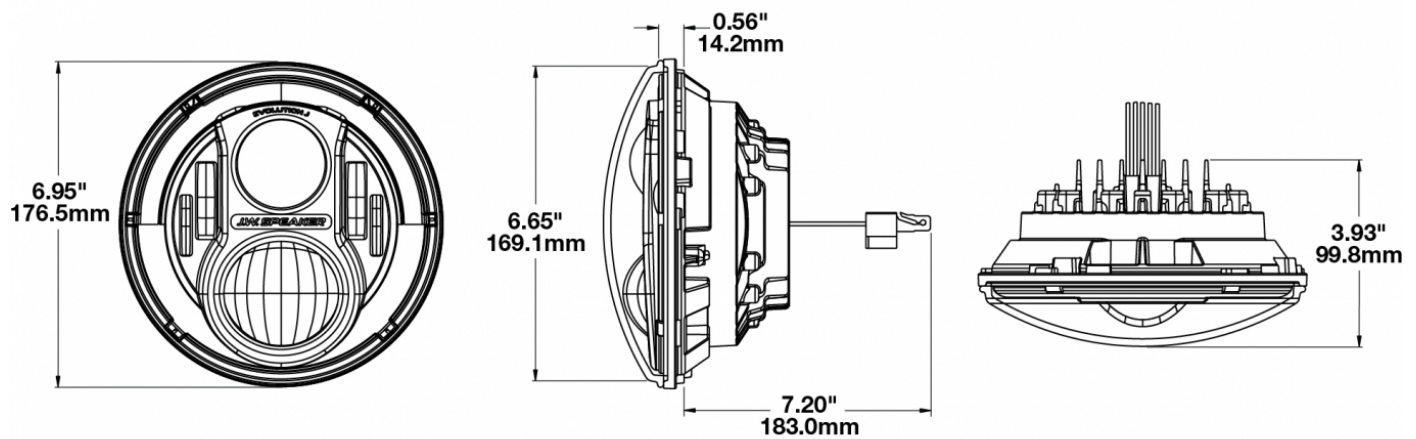
Print date: 2017-06-27

© 2017 J.W. Speaker Corporation • Germantown, WI U.S.A.
www.jwspeaker.com • speaker@jwspeaker.com • 262.251.6660

J.W. SPEAKER 
Engineered. Lighting. Solutions.

LED Headlights - Model 8700 Evolution J

PRODUCT DIMENSIONS



ELECTRICAL SPECIFICATIONS

Input Voltage	12V DC
Operating Voltage	9-16V DC
Transient Spike Protection	150V Peak @ 1 HZ-100 Pulses
Black Wire	Ground
White Wire	High Beam
Yellow Wire	Low Beam
Red Wire	Front Position
Blue Wire	DRL
Current Draw	3.00A @ 12V DC (High Beam) 2.00A @ 12V DC (Low Beam) 1.60A @ 12V DC (DRL) 0.16A @ 12V DC (Front Position)

Print date: 2017-06-27

© 2017 J.W. Speaker Corporation • Germantown, WI U.S.A.
www.jwspeaker.com • speaker@jwspeaker.com • 262.251.6660

LED Headlights - Model 8700 Evolution J

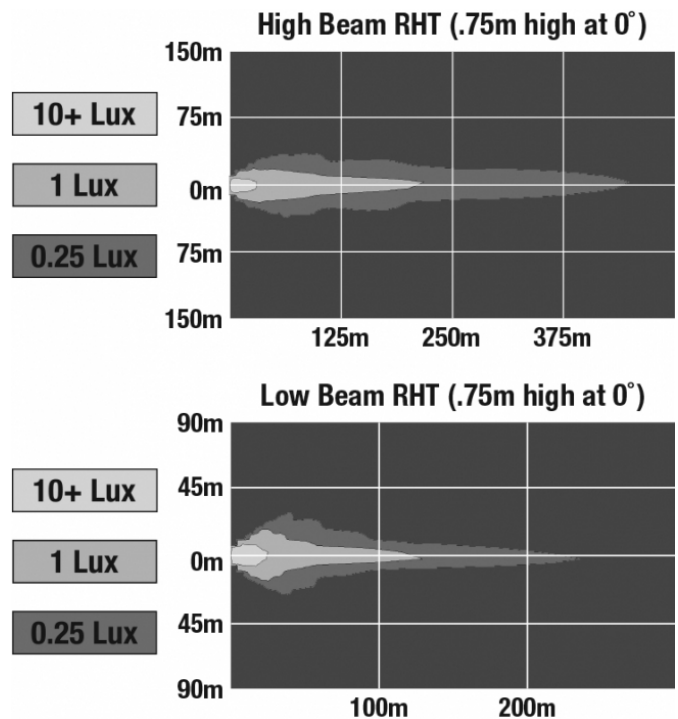
REGULATORY STANDARDS COMPLIANCE



Buy America Standards	ECE Reg 112
ECE Reg 7	ECE Reg 87
Eco Friendly	IEC IP67

PHOTOMETRIC SPECIFICATIONS

Raw Lumen Output	2,610 (High Beam); 1,770 (Low Beam)
Effective Lumen Output	1,150 (High Beam); 750 (Low Beam)
Candela Output	60,897 (High Beam) 35,003 (Low Beam)
Nominal LED Color Temperature	5000 K
Beam Pattern(s)	Forward Lighting - Daytime Running Light Forward Lighting - High Beam (DOT/ECE) Forward Lighting - Low Beam (ECE Right Hand) Signalization - Front Position



Print date: 2017-06-27

© 2017 J.W. Speaker Corporation • Germantown, WI U.S.A.
www.jwspeaker.com • speaker@jwspeaker.com • 262.251.6660

LED Headlights - Model 8700 Evolution J

APPLICATIONS



ADDITIONAL INFORMATION

Headlight must be securely mounted and properly aimed such that the beam pattern cut off line complies with all applicable regulations. If you are not familiar with the legal requirements for aiming your headlights, please see a professional service provider. We recommend that headlights are aimed with a headlight aiming system for proper alignment.

Designed specifically for Jeeps

Designed with integrated anti-flicker technology that eliminates flickering caused by the Jeep electrical system. Intended for use on 2007+ Jeep Wranglers & Jeep Wrangler Unlimited.

ECE-COMPLIANCE

This light is ECE-compliant and is not for use on-road in the U.S.

To be ECE-compliant guarantees your lights are compliant in the European Union and in non-European countries that have adopted ECE Regulations for visibility, durability, and reliability.

Print date: 2017-06-27

© 2017 J.W. Speaker Corporation • Germantown, WI U.S.A.
www.jwspeaker.com • speaker@jwspeaker.com • 262.251.6660

J.W. SPEAKER®
Engineered. Lighting. Solutions.

LED Headlights - Model 8700 Evolution J

RELATED PRODUCTS



Part Number
0550771

12V DOT LED High & Low Beam Headlight with Black Bezel - 1 Light



Part Number
0550781

12V DOT LED High & Low Beam Headlight with Chrome Bezel - 1 Light



Part Number
0550801

12V ECE LED RHT High & Low Beam Headlight with FP, DRL, & Chrome Bezel - 1 Light



Part Number
0550811

12V ECE LED LHT High & Low Beam Headlight with FP, DRL, & Black Bezel - 1 Light



Part Number
0550821

12V ECE LED LHT High & Low Beam Headlight with FP, DRL, & Chrome Bezel - 1 Light



Part Number
0551131

12V DOT LED High & Low Beam Headlight with Black Bezel - 2 Light Kit



Part Number
0551141

12V DOT LED High & Low Beam Headlight with Chrome Bezel - 2 Light Kit



Part Number
0551151

12V ECE LED RHT High & Low Beam Headlight with FP, DRL, & Black Bezel - 2 Light Kit