

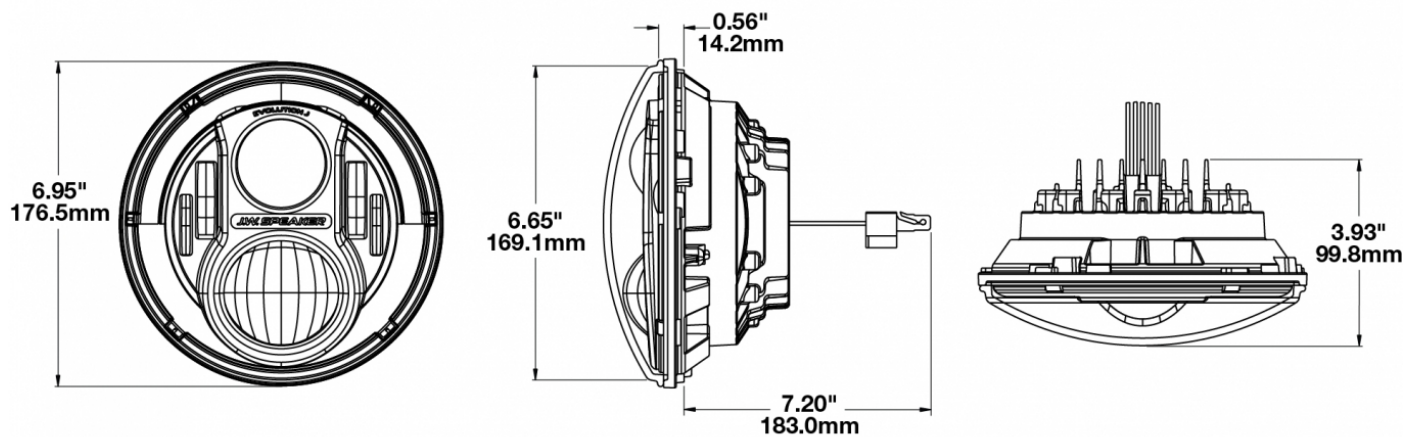
# LED Headlights - Model 8700 Evolution J

## PRODUCT INFORMATION

<b>Description</b>	12V DOT LED High & Low Beam Headlight with Chrome Bezel - 1 Light
<b>Height</b>	176.53 mm / 6.95 in
<b>Width</b>	176.53 mm / 6.95 in
<b>Depth</b>	99.82 mm / 3.93 in
<b>Shape</b>	Round
<b>Outer Lens Material</b>	Polycarbonate
<b>Outer Lens Color</b>	Clear
<b>Housing Material</b>	Die-Cast Aluminum
<b>Housing Color</b>	Gray
<b>Bezel Color</b>	Chrome
<b>Retrofits</b>	2D1 "PAR56" or 7" round headlights
<b>Minimum Operating Temperature</b>	-40 °C / -40 °F
<b>Maximum Operating Temperature</b>	65 °C / 149 °F
<b>Connector or Wiring</b>	DELPHI 15326813 (H13)
<b>Product Weight</b>	2.31 lbs / 1.05 kgs
<b>Shipping Weight</b>	3.50 lbs / 1.59 kgs



## PRODUCT DIMENSIONS



Print date: 2017-09-26

© 2017 J.W. Speaker Corporation • Germantown, WI U.S.A.  
[www.jwspeaker.com](http://www.jwspeaker.com) • [speaker@jwspeaker.com](mailto:speaker@jwspeaker.com) • 262.251.6660

**J.W. SPEAKER**  
 Engineered. Lighting. Solutions.

# LED Headlights - Model 8700 Evolution J

## ELECTRICAL SPECIFICATIONS

---

<b>Input Voltage</b>	12V DC
<b>Operating Voltage</b>	9-16V DC
<b>Transient Spike Protection</b>	150V Peak @ 1 HZ-100 Pulses
<b>Black Wire</b>	Ground
<b>White Wire</b>	High Beam
<b>Yellow Wire</b>	Low Beam
<b>Current Draw</b>	4.00A @ 12V DC (High Beam) 2.70A @ 12V DC (Low Beam)

## REGULATORY STANDARDS COMPLIANCE

---



Buy America Standards  
FMVSS 108 Table XIX  
IEC IP67

Eco Friendly  
FMVSS 108 Table XVIII

---

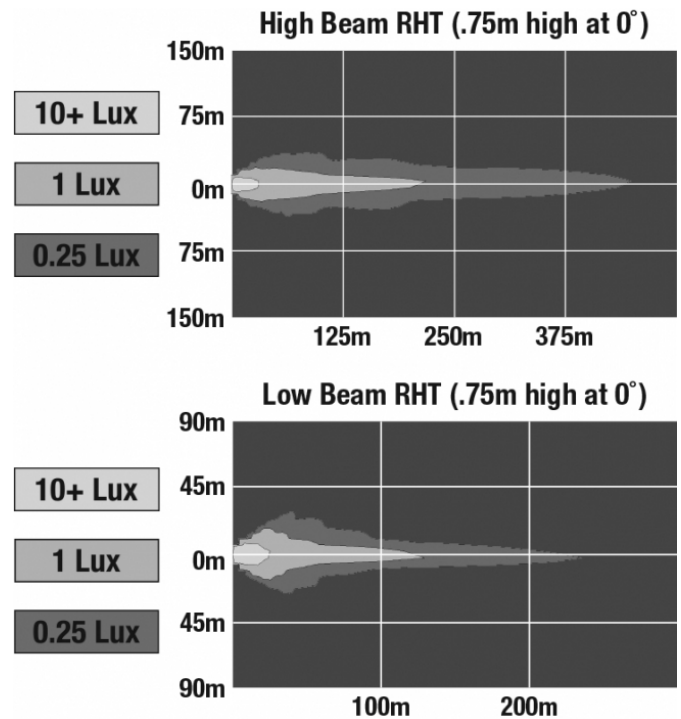
**Print date: 2017-09-26**

© 2017 J.W. Speaker Corporation • Germantown, WI U.S.A.  
www.jwspeaker.com • speaker@jwspeaker.com • 262.251.6660

# LED Headlights - Model 8700 Evolution J

## PHOTOMETRIC SPECIFICATIONS

<b>Raw Lumen Output</b>	2,610 (High Beam); 1,770 (Low Beam)
<b>Effective Lumen Output</b>	1,150 (High Beam); 750 (Low Beam)
<b>Candela Output</b>	60,897 (High Beam) 35,003 (Low Beam)
<b>Nominal LED Color Temperature</b>	5000 K
<b>Beam Pattern(s)</b>	Forward Lighting - High Beam (DOT/ECE) Forward Lighting - Low Beam (DOT)



## APPLICATIONS



## INSTALLATION & APPLICATION INFORMATION

### Designed specifically for Jeeps

Designed with integrated anti-flicker technology that eliminates flickering caused by the Jeep electrical system. Intended for use on 2007+ Jeep Wranglers & Jeep Wrangler Unlimited.

Headlight must be securely mounted and properly aimed such that the beam pattern cut off line complies with all applicable regulations. If you are not familiar with the legal requirements for aiming your headlights, please see a professional service provider. We recommend that headlights are aimed with a headlight aiming system for proper alignment.

Print date: 2017-09-26

© 2017 J.W. Speaker Corporation • Germantown, WI U.S.A.  
www.jwspeaker.com • speaker@jwspeaker.com • 262.251.6660

**J.W. SPEAKER**  
Engineered. Lighting. Solutions.

# LED Headlights - Model 8700 Evolution J

## RELATED PRODUCTS

---



**Part Number**  
**0550771**

12V DOT LED High & Low Beam Headlight with Black Bezel - 1 Light



**Part Number**  
**0550791**

12V ECE LED RHT High & Low Beam Headlight with FP, DRL, & Black Bezel - 1 Light



**Part Number**  
**0550801**

12V ECE LED RHT High & Low Beam Headlight with FP, DRL, & Chrome Bezel - 1 Light



**Part Number**  
**0550811**

12V ECE LED LHT High & Low Beam Headlight with FP, DRL, & Black Bezel - 1 Light



**Part Number**  
**0550821**

12V ECE LED LHT High & Low Beam Headlight with FP, DRL, & Chrome Bezel - 1 Light



**Part Number**  
**0551131**

12V DOT LED High & Low Beam Headlight with Black Bezel - 2 Light Kit



**Part Number**  
**0551141**

12V DOT LED High & Low Beam Headlight with Chrome Bezel - 2 Light Kit



**Part Number**  
**0551151**

12V ECE LED RHT High & Low Beam Headlight with FP, DRL, & Black Bezel - 2 Light Kit