

LED Signal Lights – Military Black Out Lights

PRODUCT INFORMATION

Description	24V RH Blackout Driving Light - Bulk Qty (18 MIN)
Height	39.88 mm / 1.57 in
Width	59.94 mm / 2.36 in
Depth	47.24 mm / 1.86 in
Shape	Round
Outer Lens Material	Polycarbonate
Outer Lens Color	Clear
Housing Material	Nylon
Housing Color	Black
Mounting Hardware Description	(x2) #6-Screw
Mounting Type	Flange Mount
Minimum Operating Temperature	-40 °C / -40 °F
Maximum Operating Temperature	85 °C / 185 °F
Connector or Wiring	Deutsch DT04-2P
Mating Connector	Deutsch DT06-2S
Product Weight	0.08 lbs / 0.04 kgs
Additional Information	Light color is Cyan. Meets MIL-PRF-32212A Section 3.4 and 3.5.



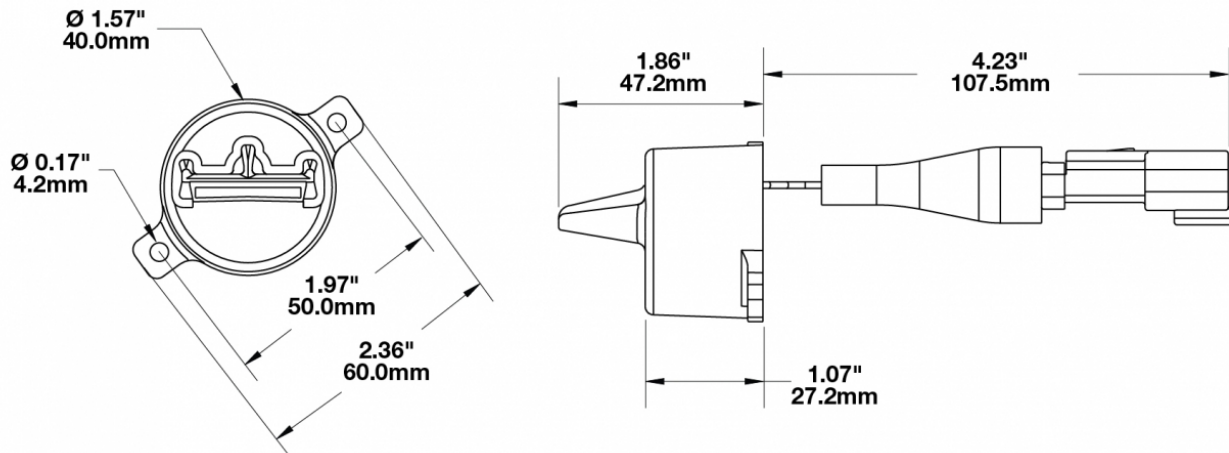
Print date: 2018-06-24

© 2018 J.W. Speaker Corporation • Germantown, WI U.S.A.
 www.jwspeaker.com • speaker@jwspeaker.com • 262.251.6660

J.W. SPEAKER®
 Engineered. Lighting. Solutions.

LED Signal Lights – Military Black Out Lights

PRODUCT DIMENSIONS



ELECTRICAL SPECIFICATIONS

Input Voltage	24V DC
Operating Voltage	18-32V DC
Black Wire	Ground
Red Wire	Positive
Current Draw	0.150A @ 24V DC

REGULATORY STANDARDS COMPLIANCE



Buy America Standards
IEC IP67

Eco Friendly

Print date: 2018-06-24

© 2018 J.W. Speaker Corporation • Germantown, WI U.S.A.
www.jwspeaker.com • speaker@jwspeaker.com • 262.251.6660

J.W. SPEAKER
Engineered. Lighting. Solutions.

LED Signal Lights – Military Black Out Lights

PHOTOMETRIC SPECIFICATIONS

Beam Pattern(s) Forward Lighting - Driving

RELATED PRODUCTS



Part Number
0347502
24V Front Blackout
Marker Light - Bulk Qty
(18 MIN)



Part Number
0347512
24V Rear Blackout Tail
Light - Bulk Qty (18
MIN)



Part Number
0347522
24V Rear Blackout
Stop Light - Bulk Qty
(18 MIN)



Part Number
0550312
24V LH Blackout
Driving Light - Bulk Qty
(18 MIN)