

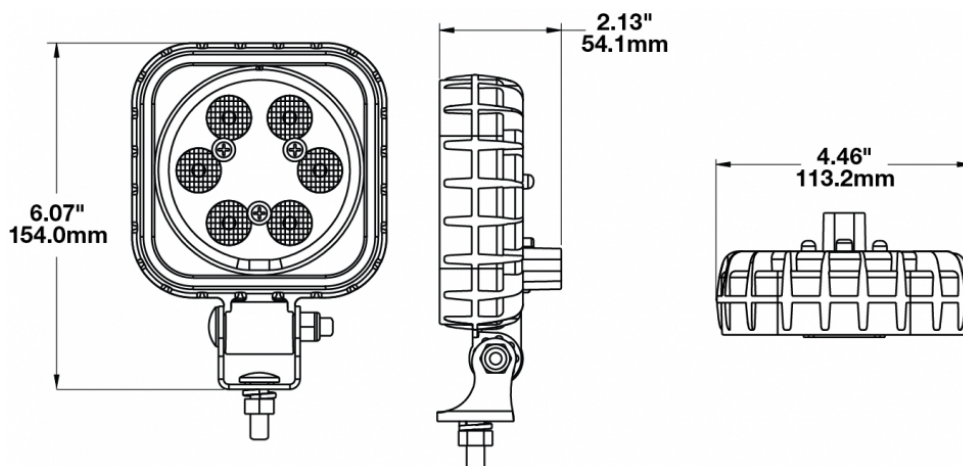
# LED Work Light - Model 840 XD

## PRODUCT INFORMATION

<b>Description</b>	12-24V LED Work Light with Trapezoid Beam Pattern
<b>Height</b>	154.18 mm / 6.07 in
<b>Width</b>	113.28 mm / 4.46 in
<b>Depth</b>	54.10 mm / 2.13 in
<b>Shape</b>	Square
<b>Outer Lens Material</b>	Polycarbonate
<b>Outer Lens Color</b>	Clear
<b>Housing Material</b>	Polycarbonate
<b>Housing Color</b>	Black
<b>Mounting Hardware Description</b>	(x1) 5/16"-18 x 1.00" Mounting Bolt
<b>Mounting Type</b>	Universal Pedestal Mount
<b>Minimum Operating Temperature</b>	-40 °C / -40 °F
<b>Maximum Operating Temperature</b>	65 °C / 149 °F
<b>Connector or Wiring</b>	Integrated 2-Pin Deutsch Weather-Proof Socket (DT04-2P)
<b>Mating Connector</b>	2-Pin Deutsch Weather-Proof Plug (DT06-2S)



## PRODUCT DIMENSIONS



Print date: 2017-06-26

© 2017 J.W. Speaker Corporation • Germantown, WI U.S.A.  
 www.jwspeaker.com • speaker@jwspeaker.com • 262.251.6660

**J.W. SPEAKER**  
 Engineered. Lighting. Solutions.

# LED Work Light - Model 840 XD

## ELECTRICAL SPECIFICATIONS

<b>Input Voltage</b>	12-24V DC
<b>Operating Voltage</b>	10-30V DC
<b>Transient Spike Protection</b>	330V Peak @ 1 HZ-100 Pulses
<b>Red Wire</b>	Positive
<b>Black Wire</b>	Negative
<b>Current Draw</b>	1.25A @ 12V DC 0.61A @ 24V DC

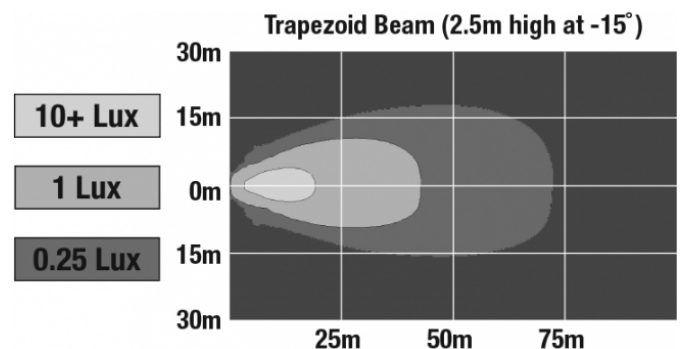
## REGULATORY STANDARDS COMPLIANCE



Buy America Standards	CISPR 12
CISPR 22	Eco Friendly
IEC IP69K	SAE J1113-13
Tested to ECE Reg. 10 (Radiated Emissions only)	UL Recognized

## PHOTOMETRIC SPECIFICATIONS

<b>Raw Lumen Output</b>	1,080
<b>Effective Lumen Output</b>	780
<b>Nominal LED Color Temperature</b>	5000 K
<b>Beam Pattern(s)</b>	Forward Lighting - Trapezoid



Print date: 2017-06-26

© 2017 J.W. Speaker Corporation • Germantown, WI U.S.A.  
www.jwspeaker.com • speaker@jwspeaker.com • 262.251.6660

**J.W. SPEAKER**  
Engineered. Lighting. Solutions.

# LED Work Light - Model 840 XD

## APPLICATIONS

---



## ACCESSORIES

---



**Part Number**  
**820011**

Magnet Mount Kit for  
XD Series Work Lights

# LED Work Light - Model 840 XD

## RELATED PRODUCTS

---



**Part Number**  
**1300001**

12-24V LED Work Light with Flood Beam Pattern



**Part Number**  
**1300021**

12-24V LED Work Light with Spot Beam Pattern



**Part Number**  
**1300031**

12-110V LED Work Light with Trapezoid Beam Pattern & Integrated 2-Pin Deutsch Connector



**Part Number**  
**1300041**

12-110V LED Work Light with Trapezoid Beam Pattern & Integrated AMP Connector



**Part Number**  
**1300091**

12-110V LED Work Light with Flood Beam Pattern



**Part Number**  
**1300101**

12-110V LED Work Light with Spot Beam Pattern



**Part Number**  
**1300301**

12-48V LED Work Light with Left Hand Vertical Flood Beam Pattern



**Part Number**  
**1300311**

12-48V LED Work Light with Right Hand Vertical Flood Beam Pattern