

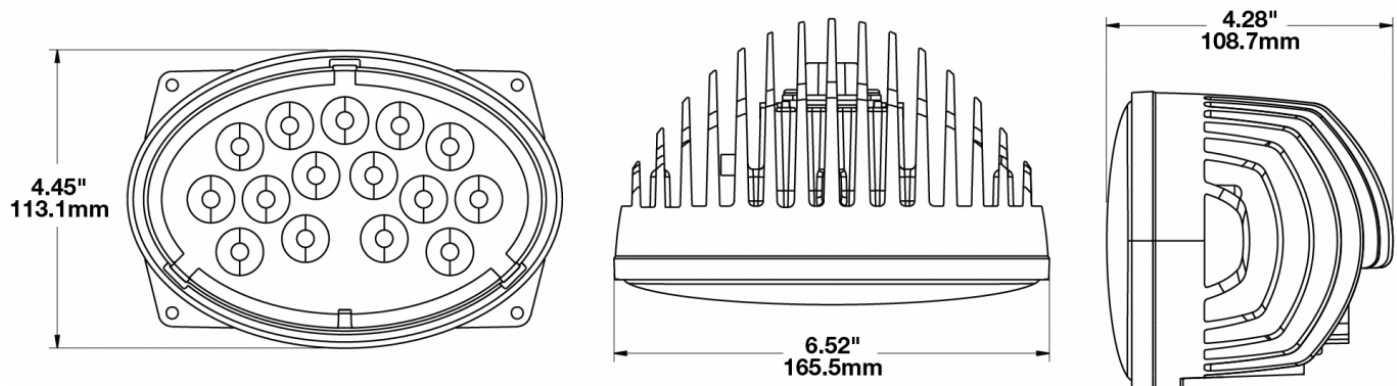
LED Work Light - Model 7151

PRODUCT INFORMATION

Description	12-24V LED Work Light with Flood Beam Pattern
Height	113.03 mm / 4.45 in
Width	165.61 mm / 6.52 in
Depth	108.71 mm / 4.28 in
Shape	Oval
Outer Lens Material	Glass
Outer Lens Color	Clear
Housing Material	Die-Cast Magnesium
Housing Color	Black
Mounting Hardware Description	(x1) 1/2"-Mounting Bolt
Mounting Type	4-Point Panel Mount
Minimum Operating Temperature	-40 °C / -40 °F
Maximum Operating Temperature	65 °C / 149 °F
Connector or Wiring	Integrated 2-Pin Deutsch Weather-Proof Socket (DT04-2P), 2-Pin Deutsch Weather-Proof Plug (DT06-2S)
Product Weight	2.80 lbs / 1.27 kgs



PRODUCT DIMENSIONS



Print date: 2017-06-23

© 2017 J.W. Speaker Corporation • Germantown, WI U.S.A.
 www.jwspeaker.com • speaker@jwspeaker.com • 262.251.6660

J.W. SPEAKER
 Engineered. Lighting. Solutions.

LED Work Light - Model 7151

ELECTRICAL SPECIFICATIONS

Input Voltage	12-24V DC
Transient Spike Protection	150V peak @ 1 HZ-100 Pulses
Red Wire	Positive
Black Wire	Negative
Current Draw	6.5A @ 12V DC 3A @ 24V DC

REGULATORY STANDARDS COMPLIANCE

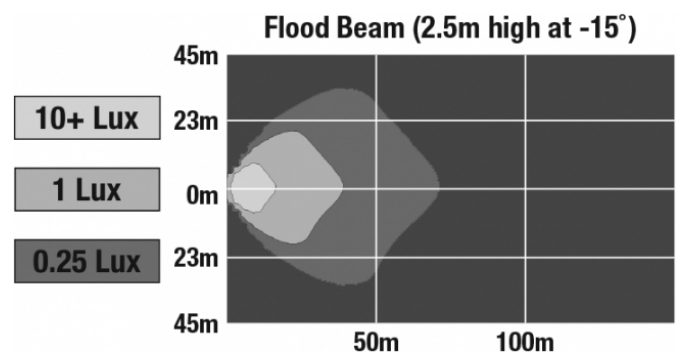


Buy America Standards
IEC IP67

Eco Friendly
SAE J1455

PHOTOMETRIC SPECIFICATIONS

Raw Lumen Output	4,500
Effective Lumen Output	3,000
Nominal LED Color Temperature	5000 K
Beam Pattern(s)	Forward Lighting - Flood (Standard)



Print date: 2017-06-23

© 2017 J.W. Speaker Corporation • Germantown, WI U.S.A.
www.jwspeaker.com • speaker@jwspeaker.com • 262.251.6660

LED Work Light - Model 7151

APPLICATIONS



RELATED PRODUCTS



Part Number

1801401

12-24V LED Work Light
with Trapezoid Beam
Pattern