

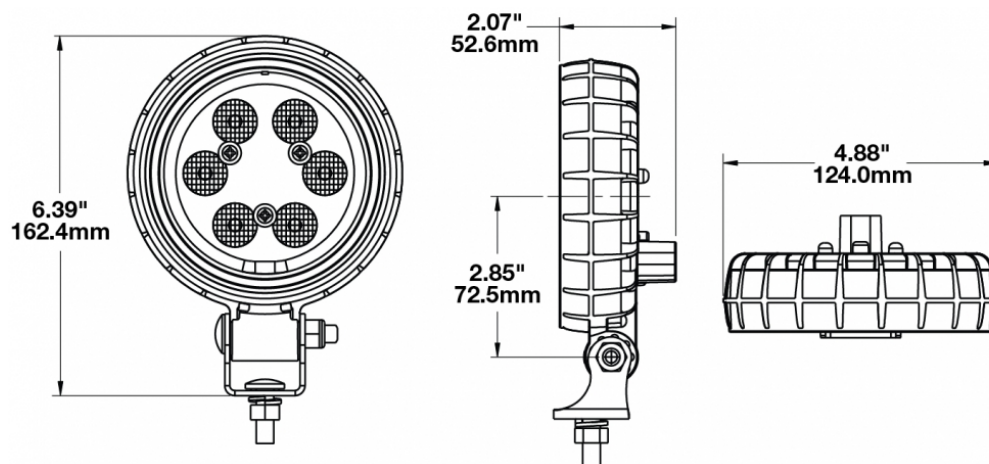
LED Work Light - Model 670 XD

PRODUCT INFORMATION

| | |
|--------------------------------------|---|
| Description | 12-24V LED Work Light with Trapezoid Beam Pattern |
| Height | 162.31 mm / 6.39 in |
| Width | 123.95 mm / 4.88 in |
| Depth | 52.58 mm / 2.07 in |
| Shape | Round |
| Outer Lens Material | Polycarbonate |
| Outer Lens Color | Clear |
| Housing Material | Polycarbonate |
| Housing Color | Black |
| Mounting Hardware Description | (x1) M8-1.25 x 20mm Mounting Bolt |
| Mounting Type | Universal Pedestal Mount |
| Minimum Operating Temperature | -40 °C / -40 °F |
| Maximum Operating Temperature | 65 °C / 149 °F |
| Connector or Wiring | Integrated 2-Pin Deutsch Weather-Proof Socket (DT04-2P) |
| Mating Connector | 2-Pin Deutsch Weather-Proof Plug (DT06-2S) |



PRODUCT DIMENSIONS



Print date: 2017-06-23

© 2017 J.W. Speaker Corporation • Germantown, WI U.S.A.
 www.jwspeaker.com • speaker@jwspeaker.com • 262.251.6660

J.W. SPEAKER
 Engineered. Lighting. Solutions.

LED Work Light - Model 670 XD

ELECTRICAL SPECIFICATIONS

| | |
|-----------------------------------|--------------------------------|
| Input Voltage | 12-24V DC |
| Operating Voltage | 10-30V DC |
| Transient Spike Protection | 330V Peak @ 1 HZ-100 Pulses |
| Red Wire | Positive |
| Black Wire | Negative |
| Current Draw | 1.3A @ 12V DC 0.6A @ 24V DC |

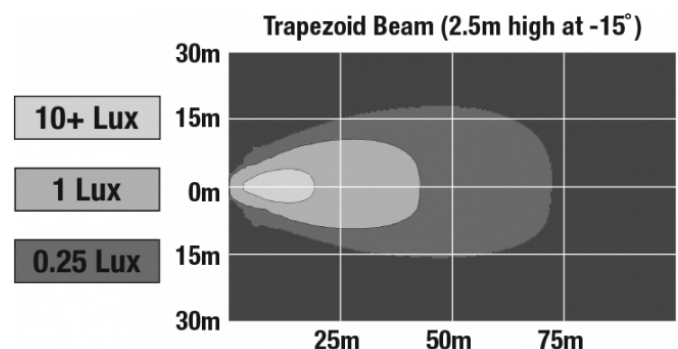
REGULATORY STANDARDS COMPLIANCE



| | |
|--|---------------|
| Buy America Standards | CISPR 12 |
| CISPR 22 | Eco Friendly |
| IEC IP69K | SAE J1113-13 |
| Tested to ECE Reg. 10 (Radiated Emissions only) | UL Recognized |

PHOTOMETRIC SPECIFICATIONS

| | |
|--------------------------------------|------------------------------|
| Raw Lumen Output | 1,080 |
| Effective Lumen Output | 780 |
| Nominal LED Color Temperature | 5000 K |
| Beam Pattern(s) | Forward Lighting - Trapezoid |



Print date: 2017-06-23

© 2017 J.W. Speaker Corporation • Germantown, WI U.S.A.
www.jwspeaker.com • speaker@jwspeaker.com • 262.251.6660

J.W. SPEAKER
Engineered. Lighting. Solutions.

LED Work Light - Model 670 XD

APPLICATIONS



ACCESSORIES



Part Number

8200011

Magnet Mount Kit for
XD Series Work Lights

RELATED PRODUCTS



Part Number

1403241

12-24V LED Work Light
with Flood Beam
Pattern



Part Number

1403261

12-24V LED Work Light
with Spot Beam
Pattern



Part Number

1403271

12-110V LED Work
Light with Trapezoid
Beam Pattern



Part Number

1403281

12-110V LED Work
Light with Spot Beam
Pattern



Part Number

1403291

12-110V LED Work
Light with Flood Beam
Pattern

Print date: 2017-06-23

© 2017 J.W. Speaker Corporation • Germantown, WI U.S.A.
www.jwspeaker.com • speaker@jwspeaker.com • 262.251.6660